

SINGER
242,247,248

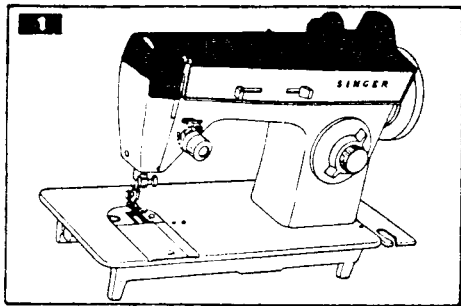
**LIST OF PARTS
FOR**

**SINGER^{*}
SEWING MACHINES**

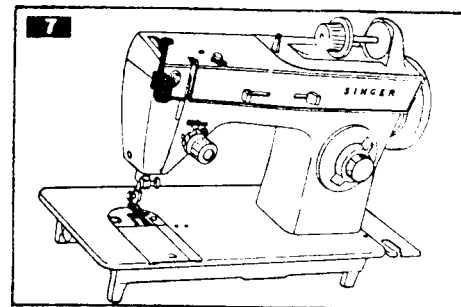
240 SERIES

*A Trademark of THE SINGER COMPANY

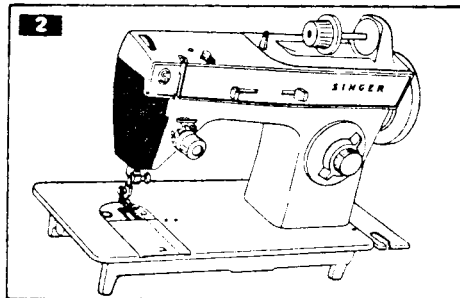
CONTENTS



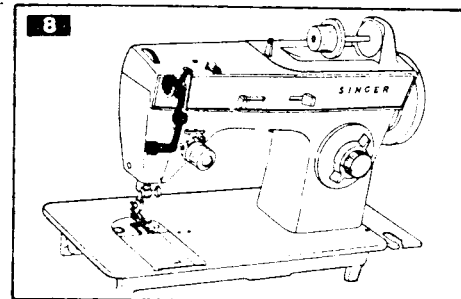
PAGES 3-4



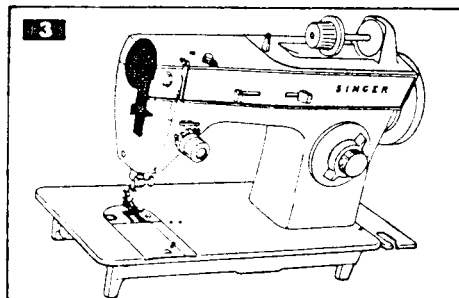
PAGES 7-8



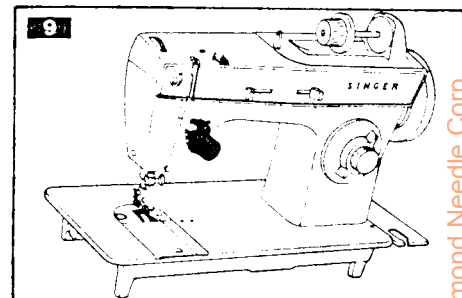
PAGES 3-4



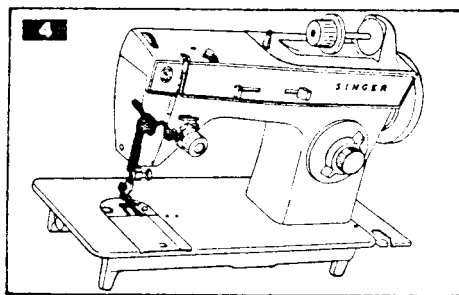
PAGES 7-8



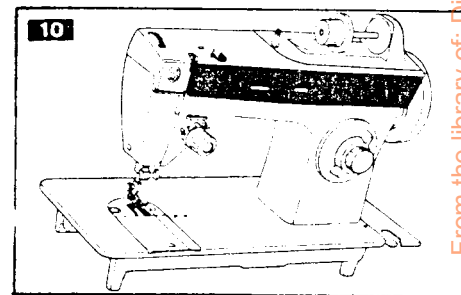
PAGES 5-6



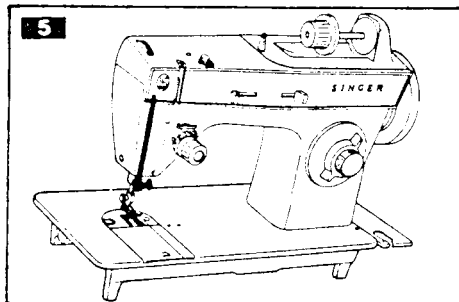
PAGES 9-10



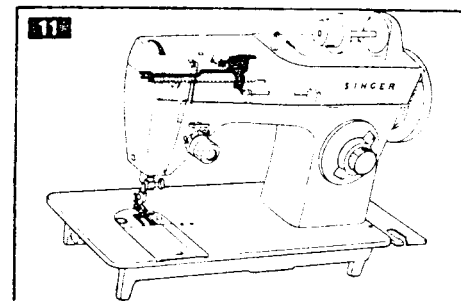
PAGES 5-6



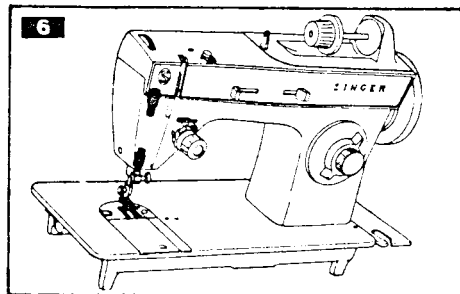
PAGES 9-10



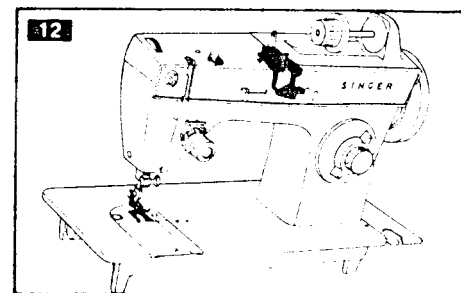
PAGES 5-6



PAGES 11-12

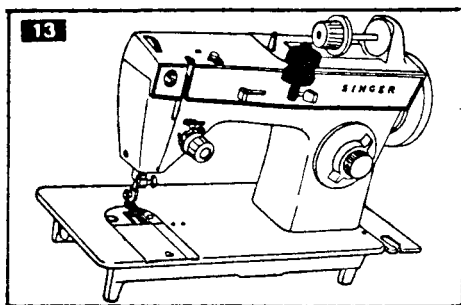


PAGES 7-8

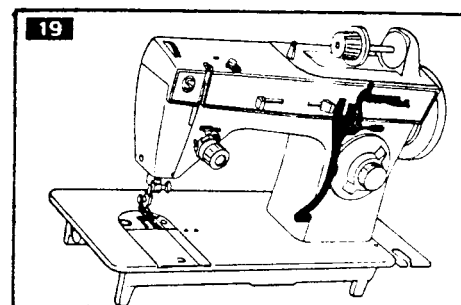


PAGES 13-14

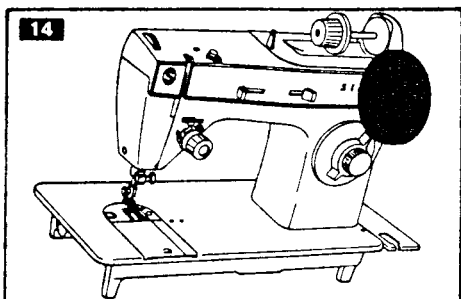
From the library of: Diamond Needle Corp



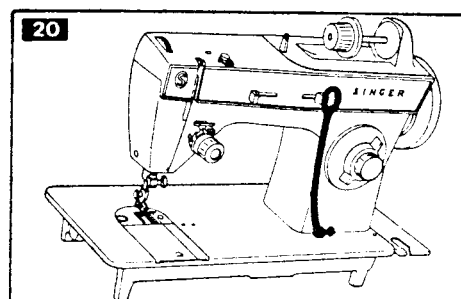
PAGES 15-16



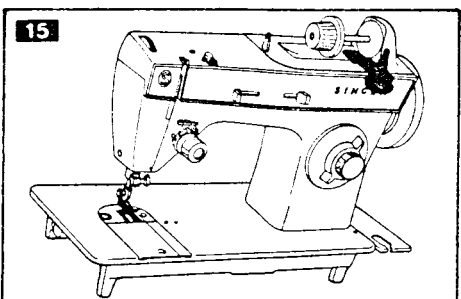
PAGES 21-22



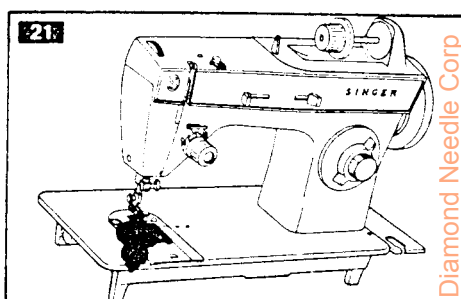
PAGES 15-16



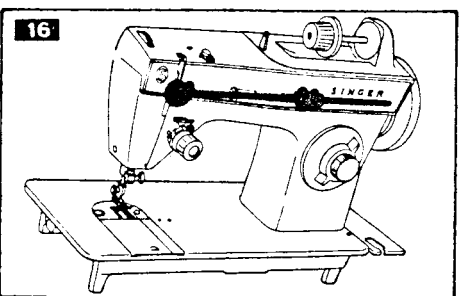
PAGES 21-22



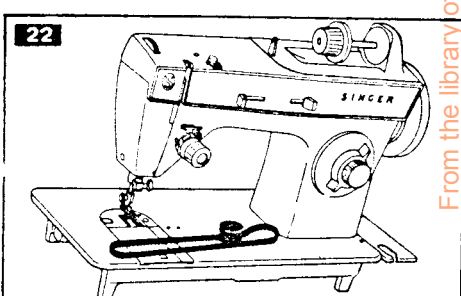
PAGES 17-18



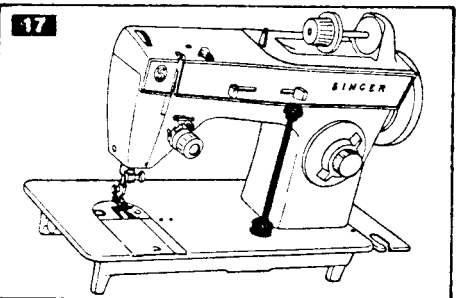
PAGES 23-24



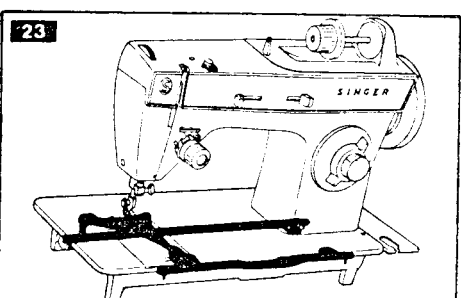
PAGES 17-18



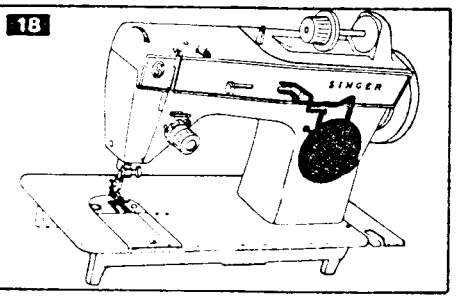
PAGES 23-24



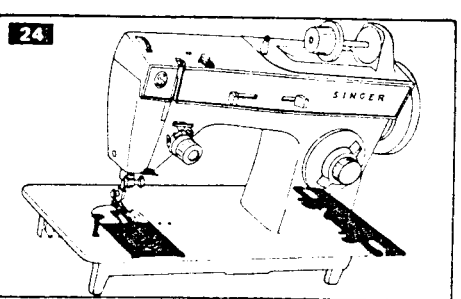
PAGES 17-18



PAGES 25-26



PAGES 19-20

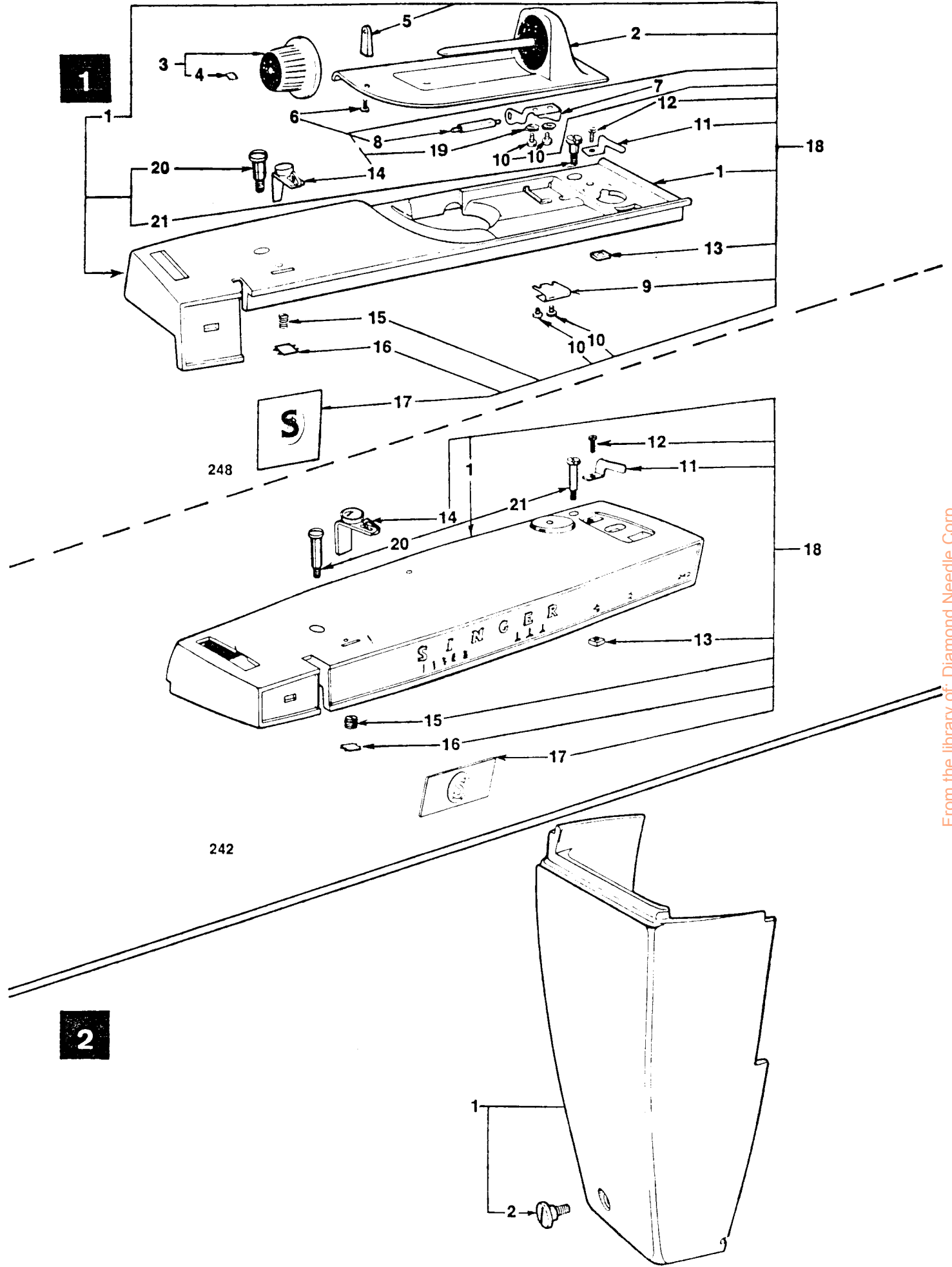


PAGES 25-26

From the library of Diamond Needle Corp

1

2



From the library of: Diamond Needle Corp

1

ARM TOP COVER

| Reference Number | Part Number | Application | | | Description |
|------------------|-------------|-------------|-----|-----|---|
| | | 242 | 247 | 248 | |
| 1 | 319698-454 | | | x | ARM TOP COVER WITH SCREWS |
| | 44674-457 | x | | | ARM TOP COVER WITH SCREWS (FOR L. A. REGION) |
| | 44674-454 | x | | | ARM TOP COVER WITH SCREWS |
| | 445186-451 | | x | | ARM TOP COVER WITH SCREWS |
| 2 | 44632-453 | | | x | ARM TOP COVER LID |
| 3 | 163149-783 | | | x | ARM TOP COVER LID SPOOL PIN LEAD OFF |
| 4 | 163150 | | | x | ARM TOP COVER LID SPOOL PIN LEAD OFF SPRING CLIP |
| 5 | 44537-783 | | | x | ARM TOP COVER LID THREAD GUIDE |
| 6 | 139862-809 | | | x | ARM TOP COVER LID THREAD GUIDE SCREW |
| 7 | 44640 | | | x | ARM TOP COVER LID HINGE |
| 8 | 44641 | | | x | ARM TOP COVER LID HINGE PIN |
| 9 | 44642 | | | x | ARM TOP COVER LID HINGE SPRING |
| 10 | 354592-451 | | | x | ARM TOP COVER LID HINGE SCREW |
| 11 | 44648 | | | x | BOBBIN WINDER STOP |
| | 444746 | x | x | | BOBBIN WINDER STOP |
| 12 | 141808-451 | x | x | x | BOBBIN WINDER STOP SCREW |
| 13 | 53640-819 | x | x | x | BOBBIN WINDER STOP SCREW NUT |
| 14 | 44368 | x | x | x | BOBBIN WINDER TENSION & THREAD GUIDE |
| 15 | 141936-833 | x | x | x | BOBBIN WINDER TENSION BRACKET ADJ. SCREW |
| 16 | 44794 | x | x | x | BOBBIN WINDER TENSION BRACKET ADJ. SCREW RET. CLIP |
| 17 | 44903 | | | x | MEDALLION COMPLETE — SOLID COLOR |
| | 445107-451 | | | x | MEDALLION COMPLETE — FLORAL PATTERN |
| | 44902-454 | x | | | MEDALLION COMPLETE |
| | 44902-457 | x | | | MEDALLION COMPLETE — (FOR L.A. REGION) |
| | 44902-456 | | x | | MEDALLION COMPLETE |
| 18 | 44655-783 | | | x | ARM TOP COVER — COMPLETE |
| | 445122-451 | | | x | ARM TOP COVER — COMPLETE — FLORAL PATTERN |
| | 44662-454 | x | | | ARM TOP COVER — COMPLETE |
| | 44662-457 | x | | | ARM TOP COVER — COMPLETE — (FOR L.A. REGION) |
| | 445187-451 | | x | | ARM TOP COVER — COMPLETE |
| 19 | 445157 | | | x | ARM TOP COVER LID SCREW LOCK WASHERS |
| 20 | 354546-452 | x | x | x | ARM TOP COVER SCREW — LEFT |
| 21 | 354544-452 | | | x | ARM TOP COVER SCREW — RIGHT |
| | 354545-452 | x | x | | ARM TOP COVER SCREW — RIGHT |

From the library of: Diamond Needle Corp

2

FACE PLATE

| Reference Number | Part Number | Application | | | Description |
|------------------|-------------|-------------|-----|-----|-----------------------|
| | | 242 | 247 | 248 | |
| 1 | 319697-453 | | | x | FACE PLATE WITH SCREW |
| | 319697-408 | x | | | FACE PLATE WITH SCREW |
| | 319697-677 | x | x | | FACE PLATE WITH SCREW |
| 2 | 354544-452 | x | x | x | FACE PLATE SCREW |

3

PRESSER BAR PRESSURE REGULATOR.

| Reference Number | Part Number | Application | | | Description |
|---------------------|----------------|-------------|-----|-----|---|
| | | 242 | 247 | 248 | |
| 1 | 445225-451 | | | x | PRESSURE REGULATOR KNOB |
| | 445225-453 | x | | | PRESSURE REGULATOR KNOB |
| | 445225-457 | | x | | PRESSURE REGULATOR KNOB |
| | 445225-462 | x | | | PRESSURE REGULATOR KNOB (FOR L.A. REGION) |
| 2 | 141941-451 | x | x | x | PRESSURE REGULATOR KNOB SCREW |
| 3 | 445228 | x | x | x | PRESSURE REGULATOR KNOB BRACKET |
| 4 | 446741 | x | x | x | PRESSER BAR SPRING ADJ. BRACKET |
| 5 | 354552-451 | x | x | x | PRESSER BAR SPRING ADJ. BRACKET SCREW |
| 6 | 44467 | | | | CANCELLED |
| 7 | 37969 | x | x | x | PRESSER BAR SPRING ADJ. BRACKET WASHER |
| 8 | 141844-819 | x | x | x | PRESSER BAR PRESSURE REG KNOB BRACKET SCREW |
| 9 | 604089-001 | | | | CANCELLED |
| 10 | 53640-819 | | | | CANCELLED |

4

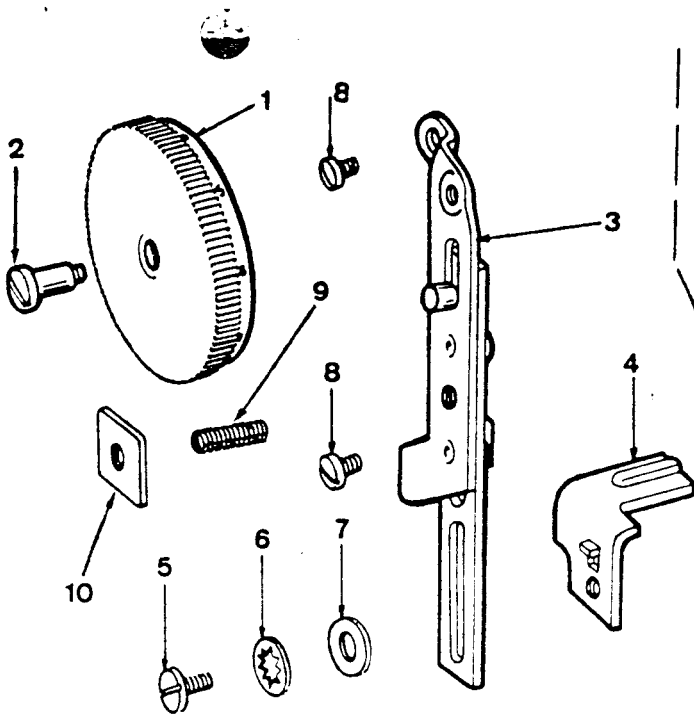
PRESSER BAR

| Reference Number | Part Number | Application | | | Description |
|---------------------|----------------|-------------|-----|-----|-------------------------------------|
| | | 242 | 247 | 248 | |
| 1 | 445291 | x | x | x | PRESSER BAR GUIDE BRACKET |
| 2 | 141925-833 | x | x | x | PRESSER BAR GUIDE BRACKET SET SCREW |
| 3 | 37959 | | | | CANCELLED |
| 4 | 444803 | x | x | x | PRESSER BAR SPRING |
| 5 | 446740 | x | x | x | PRESSER BAR |
| 6 | 37958 | x | x | x | PRESSER BAR BUSHING |
| 7 | 141803-833 | x | x | x | PRESSER BAR BUSHING SET SCREW |
| 8 | 354135-451 | x | x | x | PRESSER FOOT THUMB SCREW |
| 9 | 44445 | x | x | x | PRESSER BAR LIFTER |
| 10 | 141846-850 | x | x | x | PRESSER BAR LIFTER HINGE SCREW |
| 11 | 37985 | x | x | x | TENSION RELEASING LEVER |
| 12 | 354543-451 | x | x | x | TENSION RELEASING LEVER HINGE SCREW |

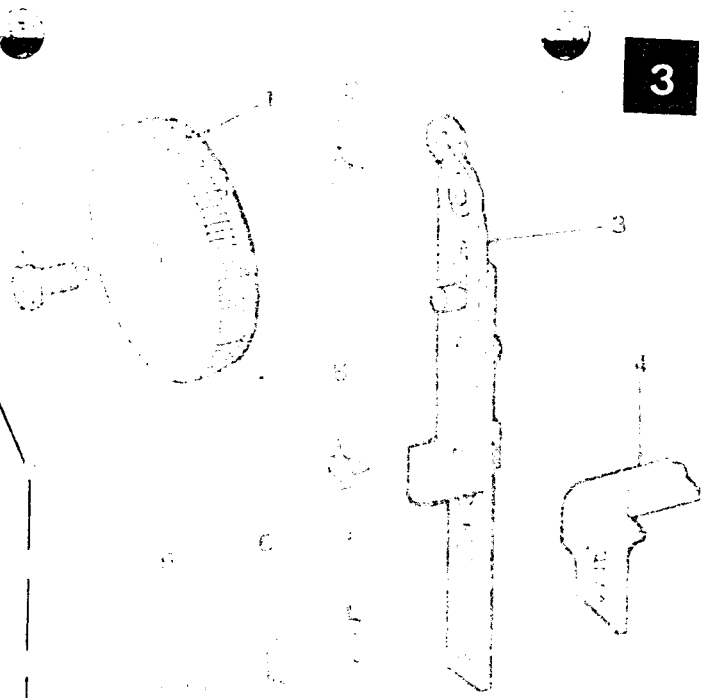
5

NEEDLE BAR

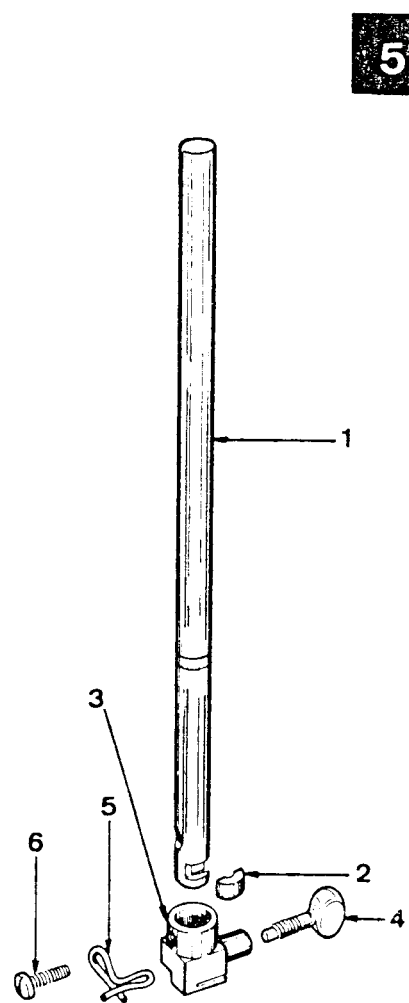
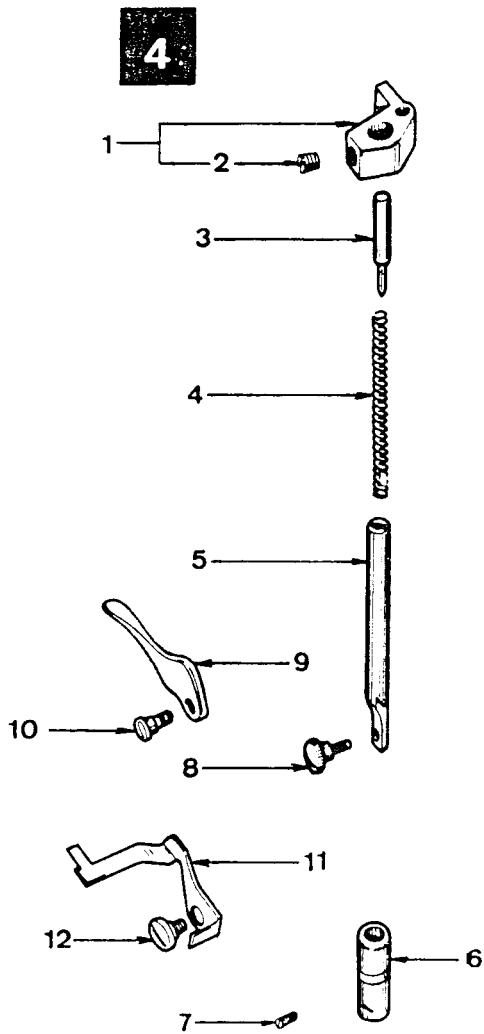
| Reference Number | Part Number | Application | | | Description |
|---------------------|----------------|-------------|-----|-----|---|
| | | 242 | 247 | 248 | |
| 1 | 37926 | x | x | x | NEEDLE BAR |
| 2 | 37943 | x | x | x | NEEDLE BAR GIB |
| 3 | 37950 | x | x | x | NEEDLE CLAMP BODY |
| 4 | 141942-851 | x | x | x | NEEDLE THUMB SCREW |
| 5 | 319721 | x | x | x | NEEDLE CLAMP THREAD GUIDE |
| 6 | 141808-451 | x | x | x | NEEDLE CLAMP THREAD GUIDE AND NEEDLE STOP SCREW |



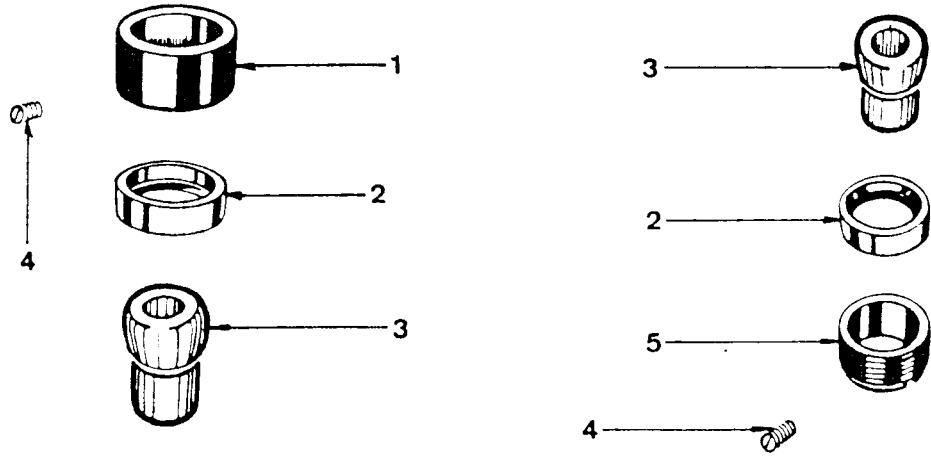
248



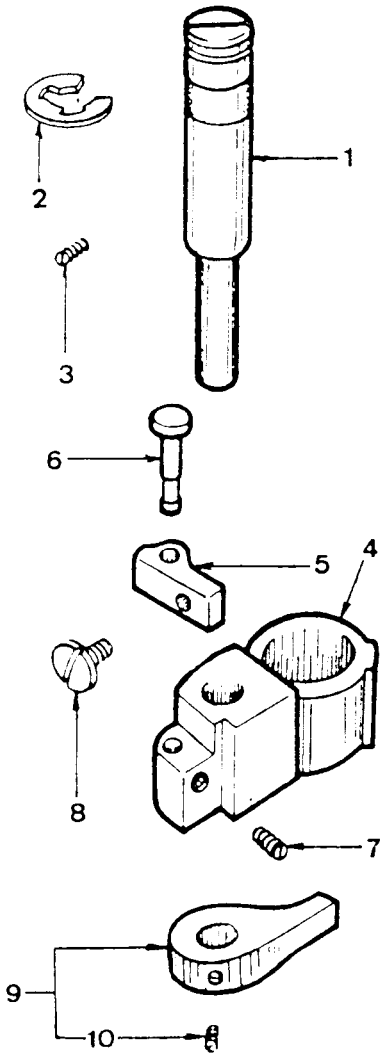
242



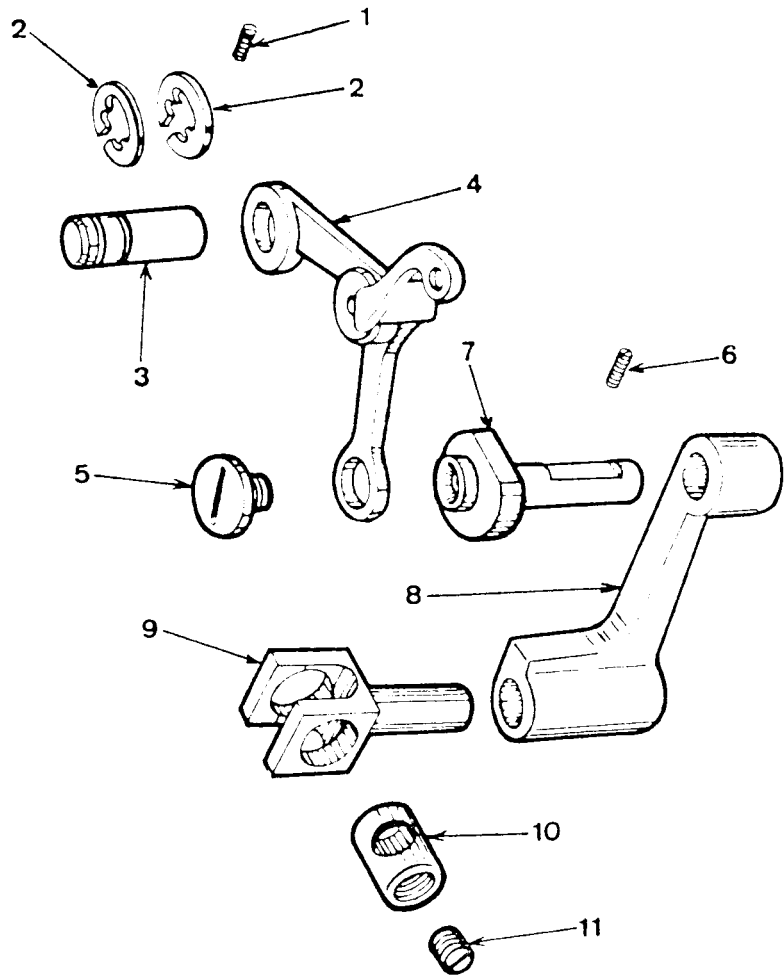
6



7



8



6**NEEDLE BAR BUSHING**

| Reference Number | Part Number | Application | | | Description |
|---------------------|----------------|-------------|-----|-----|---|
| | | 242 | 247 | 248 | |
| 1 | 37928 | x | x | x | NEEDLE BAR BUSHING (UPPER) ADJ. COLLAR |
| 2 | 507379 | x | x | x | NEEDLE BAR BUSHING SOCKET |
| 3 | 37927 | x | x | x | NEEDLE BAR BALL BUSHING |
| 4 | 141803-830 | x | x | x | NEEDLE BAR BUSHING ADJ. SCREW SET SCREW |
| 5 | 44473 | x | x | x | NEEDLE BAR BUSHING (LOWER) ADJ. SCREW |

7**NEEDLE BAR VIBRATING BRACKET**

| Reference Number | Part Number | Application | | | Description |
|---------------------|----------------|-------------|-----|-----|--|
| | | 242 | 247 | 248 | |
| 1 | 445124 | x | x | x | NEEDLE BAR VIBR. BRACKET HINGE PIN ECCENTRIC |
| 2 | 44371 | x | | | CANCELLED |
| 3 | 141918-833 | x | x | x | HINGE PIN SET SCREW |
| 4 | 37944 | x | x | x | NEEDLE BAR VIBRATING BRACKET |
| 5 | 37934 | x | x | x | NEEDLE BAR DRIVING ARM HINGE BRACKET |
| 6 | 37935 | x | x | x | N.B. DRIVING ARM HINGE BRACKET HINGE PIN |
| 7 | 141940-833 | x | x | x | HINGE PIN SET SCREW |
| 8 | 141844-819 | x | x | x | NEEDLE B. DRIVING ARM HINGE BRACKET SCREW |
| 9 | 444802 | x | x | x | NEEDLE BAR VIBRATING BRACKET HINGE PIN COLLAR |
| 10 | 141913-451 | x | x | x | COLLAR SET SCREW |

8**THREAD TAKE-UP AND NEEDLE BAR CONNECTING LINK**

| Reference Number | Part Number | Application | | | Description |
|---------------------|----------------|-------------|-----|-----|---|
| | | 242 | 247 | 248 | |
| 1 | 141803-833 | x | x | x | THREAD TAKE-UP LEVER LINK HINGE STUD SET SCREW |
| 2 | 44472 | x | x | x | RETAINING RING |
| 3 | 44421 | x | x | x | THREAD TAKE-UP LEVER LINK HINGE STUD |
| 4 | 44810 | x | x | x | THREAD TAKE-UP LEVER |
| 5 | 141809-451 | x | x | x | THREAD TAKE-UP LEVER CAP SCREW |
| 6 | 354105-833 | x | x | x | THREAD TAKE-UP LEVER CRANK SET SCREW |
| 7 | 37991 | x | x | x | THREAD TAKE-UP CRANK |
| 8 | 445224 | x | x | x | NEEDLE BAR CONNECTING LINK |
| | 44719 | x | x | x | NEEDLE BAR CONNECTING LINK (ALTERNATE) |
| 9 | 37930 | x | x | x | NEEDLE BAR CONNECTING STUD |
| 10 | 37931 | x | x | x | NEEDLE BAR CONNECTING STUD HINGE PIN |
| 11 | 141916-833 | x | x | x | NEEDLE BAR CLAMPING SCREW |

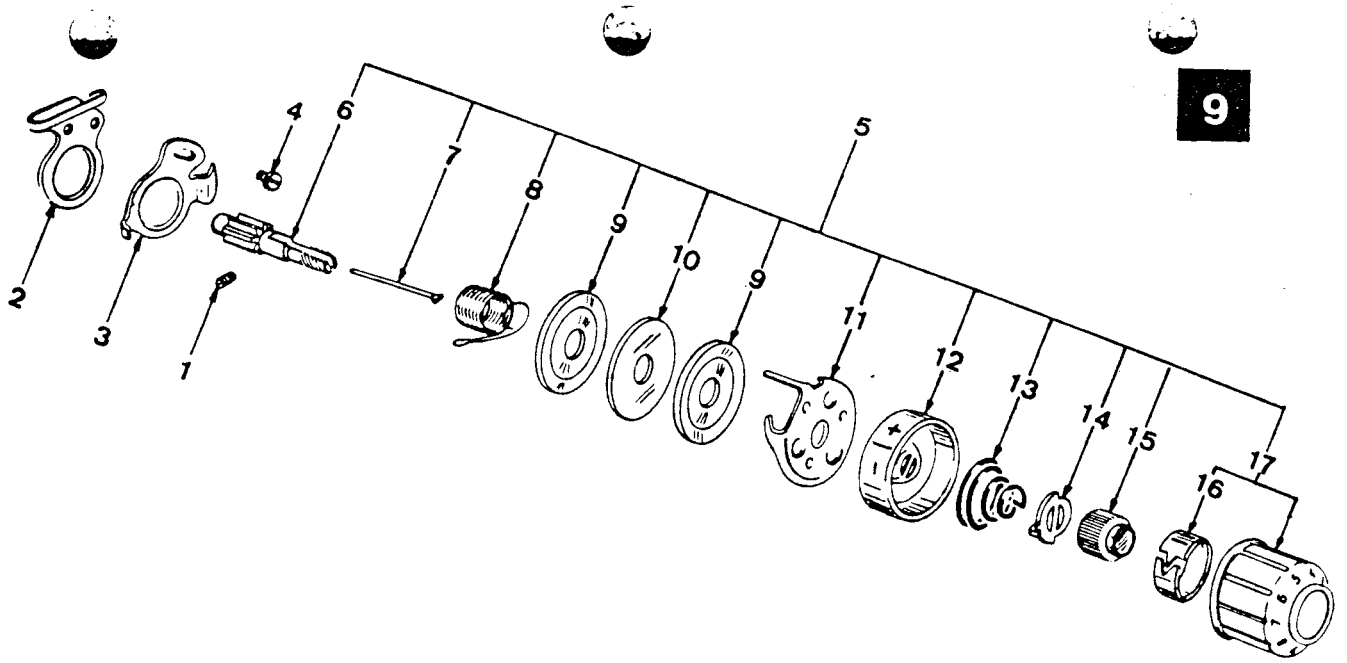
From the library of: Diamond Needle Corp

THREAD TENSION MECHANISM

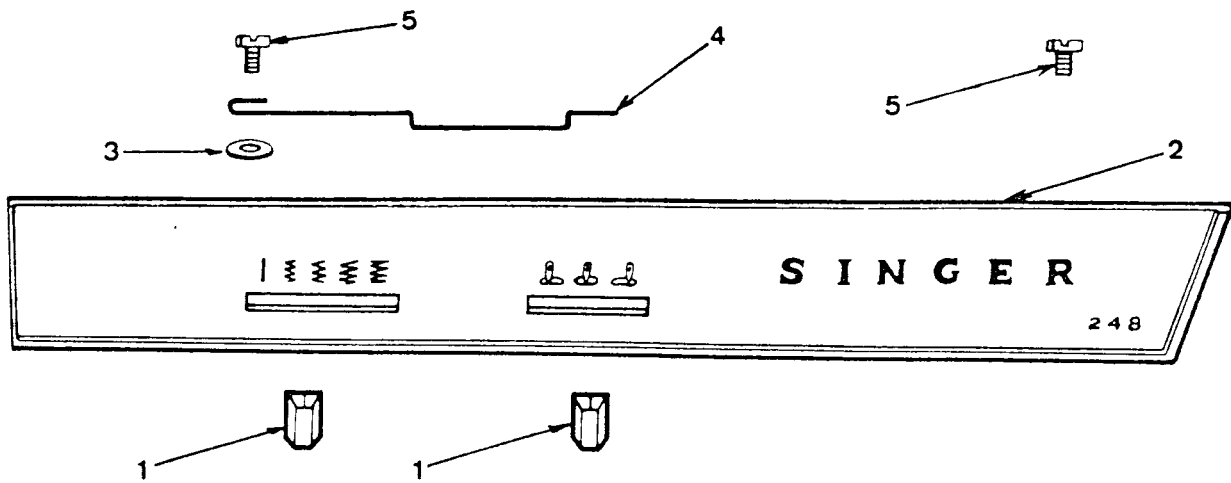
| Reference Number | Part Number | Application | | | Description |
|---------------------|----------------|-------------|-----|-----|---|
| | | 242 | 247 | 248 | |
| 1 | 141938-830 | x | x | x | TENSION STUD SET SCREW |
| 2 | 37990 | x | x | x | THREAD GUIDE (UPPER) |
| 3 | 44392 | x | x | x | SLACK THREAD REGULATOR & TENSION THREAD GUIDE |
| 4 | 141808-451 | x | x | x | SLACK THREAD REGULATOR & TENSION THREAD GUIDE SCREW |
| 5 | 44635-458 | | | x | TENSION (GRADUATED, ADJUSTABLE) COMPLETE |
| | 44635-462 | x | | | TENSION (GRADUATED, ADJUSTABLE) COMPLETE (FOR L.A. REGION) |
| | 44635-453 | x | | | TENSION (GRADUATED, ADJUSTABLE) |
| | 44635-460 | | x | | TENSION (GRADUATED, ADJUSTABLE) |
| 6 | 44454 | x | x | x | TENSION STUD |
| 7 | 44634 | x | x | x | TENSION RELEASING PIN |
| 8 | 66774-002 | x | x | x | THREAD TAKE-UP SPRING |
| 9 | 2102 | x | x | x | TENSION DISC |
| 10 | 44633 | x | x | x | TENSION MIDDLE DISC |
| 11 | 45343 | x | x | x | TENSION THREAD GUIDE |
| 12 | 44879-458 | | | x | TENSION SPRING CUP |
| | 44879-463 | x | | | TENSION SPRING CUP (FOR L.A. REGION) |
| | 44879-453 | x | | | TENSION SPRING CUP |
| | 44879-461 | | x | | TENSION SPRING CUP |
| 13 | 125314 | x | x | x | TENSION SPRING |
| 14 | 37984 | x | x | x | TENSION INDICATOR STOP WASHER |
| 15 | 507405 | x | x | x | TENSION INDICATOR ADAPTOR |
| 16 | 507406 | | | | CANCELLED |
| 17 | 445054-005 | x | | | TENSION INDICATOR |
| | 445054-015 | x | | | TENSION INDICATOR (FOR L.A. REGION) |
| | 445054-008 | | | x | TENSION INDICATOR |
| | 445054-012 | | x | | TENSION INDICATOR |

CONTROL PANEL

| Reference Number | Part Number | Application | | | Description |
|---------------------|----------------|-------------|-----|-----|--|
| | | 242 | 247 | 248 | |
| 1 | 444896-455 | | | x | BIGHT AMPLITUDE & NEEDLE POSITION LEVER KNOB |
| | 444896-454 | | x | | BIGHT AMPLITUDE & NEEDLE POSITION LEVER KNOB |
| | 444896-452 | x | | | BIGHT AMPLITUDE, NEEDLE POSITION AND DISC SELECTOR LEVER KNOB |
| | 444896-454 | x | | | BIGHT AMPLITUDE, NEEDLE POSITION AND DISC SELECTOR LEVER KNOB |
| 2 | 44906 | | | x | CONTROL PANEL — SOLID COLOR |
| | 445121-451 | | | x | CONTROL PANEL — FLORAL PATTERN |
| 3 | 37969 | | | x | CONTROL PANEL SCREW WASHER |
| 4 | 44589 | | | x | DISC FOLLOWER SPRING |
| 5 | 354552-451 | | | x | CONTROL PANEL & DISC FOLLOWER SPRING SCREW |

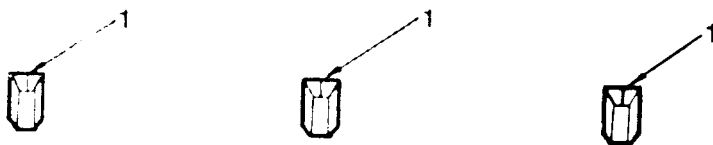


9



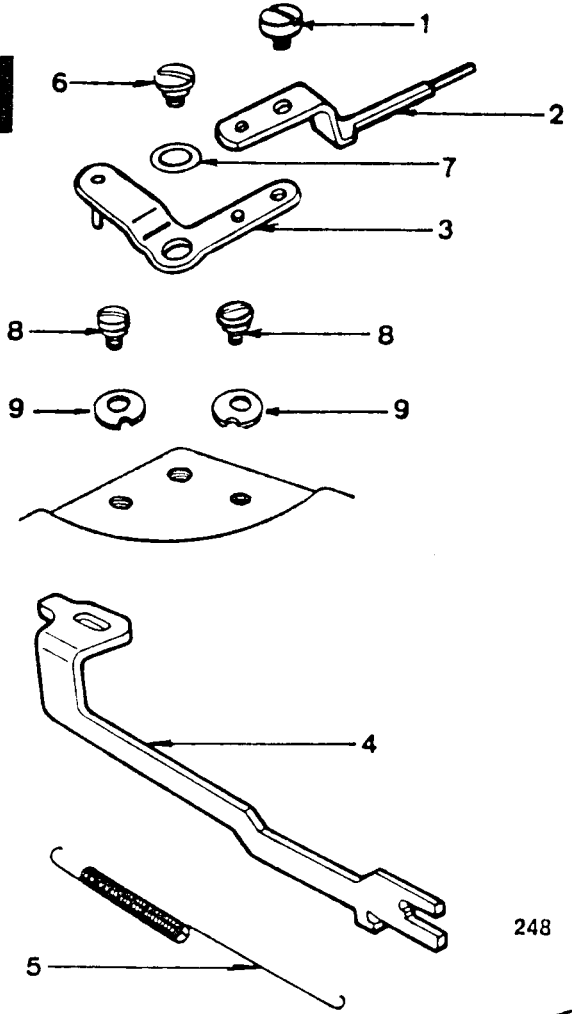
10

248

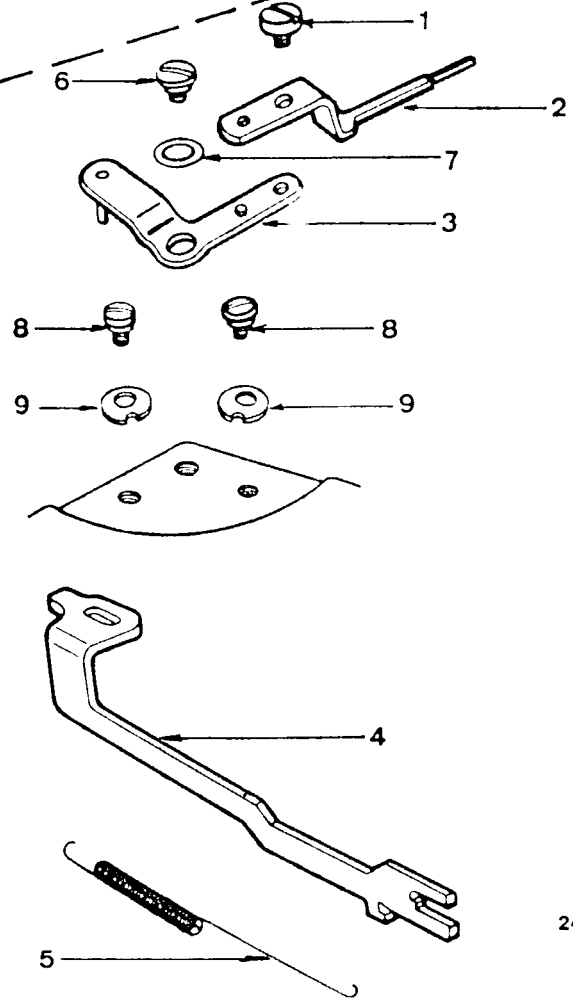


242

11



248



242 / 247

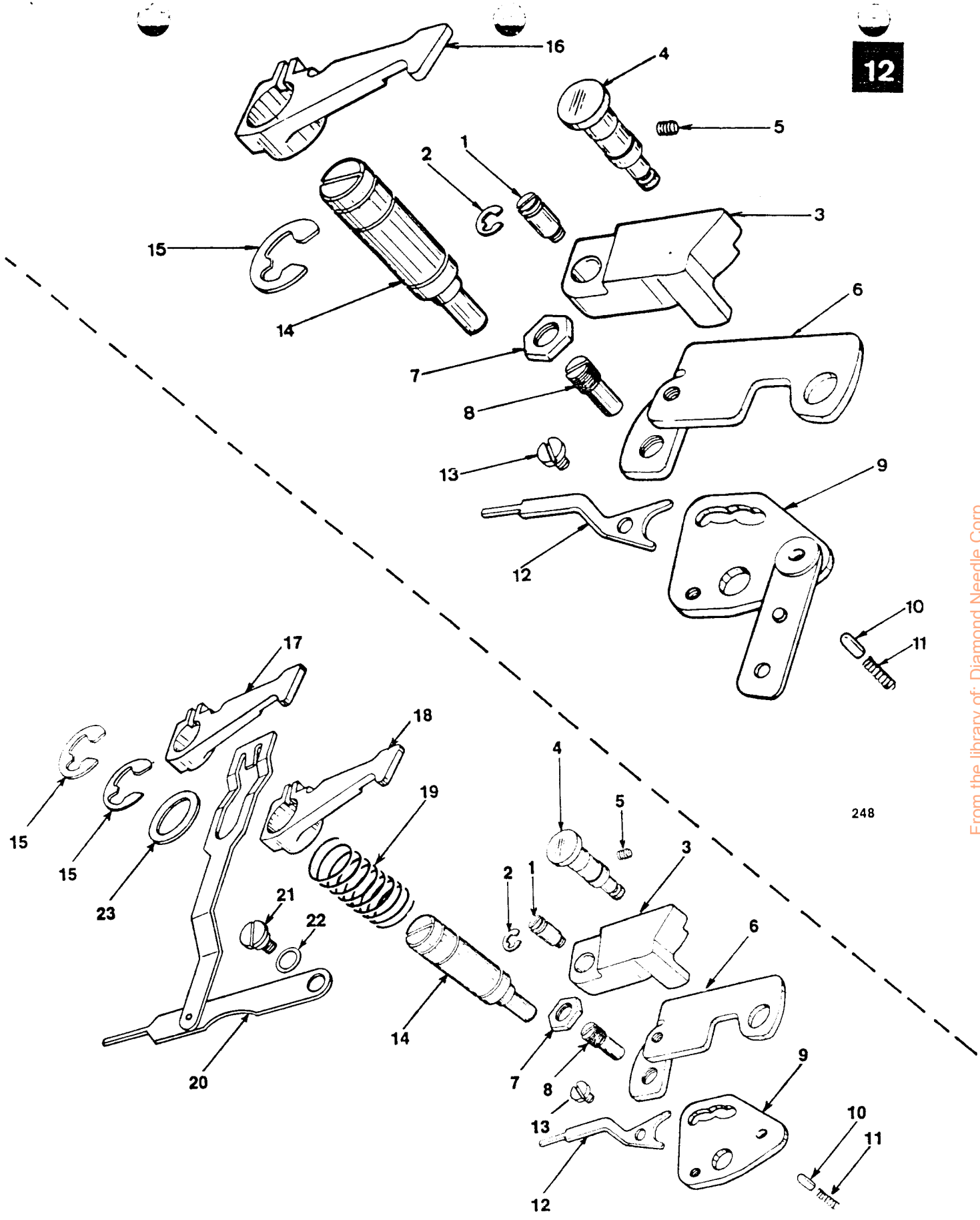
From the library of: Diamond Needle Corp

BIGHT AMPLITUDE CONTROL

| Reference Number | Part Number | Application | | | Description |
|------------------|-------------|-------------|-----|-----|---------------------------------------|
| | | 242 | 247 | 248 | |
| 1 | 139866-451 | | | x | BIGHT AMPLITUDE CONTROL LEVER SCREW |
| | 141913-451 | x | x | | BIGHT AMPLITUDE CONTROL LEVER SCREW |
| 2 | 444893 | x | x | x | BIGHT AMPLITUDE CONTROL LEVER |
| 3 | 37246 | x | x | x | BIGHT AMPLITUDE CONTROL LEVER LINK |
| 4 | 37933 | x | x | x | NEEDLE BAR DRIVING ARM |
| 5 | 37942 | x | x | x | NEEDLE BAR DRIVING ARM TENSION SPRING |
| 6 | 354543-451 | x | x | x | BIGHT AMPLITUDE CONTROL LEVER LINK |
| | | | | | HINGE SCREW |
| 7 | 444938 | x | x | x | HINGE SCREW FRICTION WASHER |
| 8 | 141913-451 | x | x | x | BIGHT AMPLITUDE CONTROL LEVER LINK |
| | | | | | STOP SCREW |
| 9 | 446904 | x | x | x | BIGHT AMPLITUDE CONTROL LEVER LINK |
| | | | | | STOP |

ZIG-ZAG MECHANISM — NEEDLE POSITION —
 DISC FOLLOWER — DISC SELECTOR

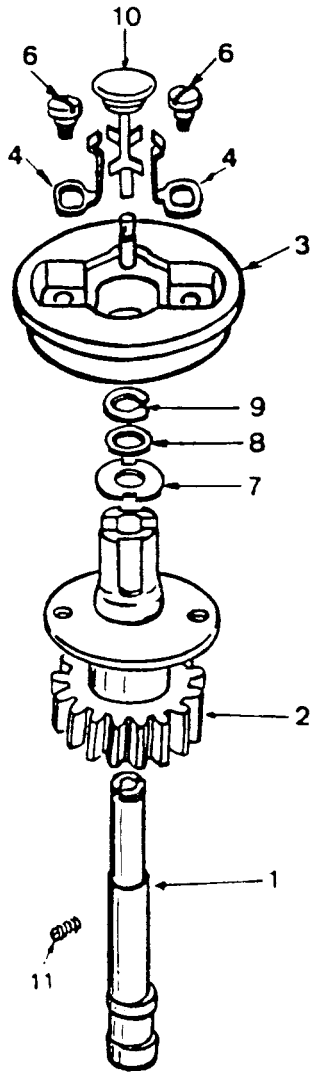
| Reference Number | Part Number | Application | | | Description |
|---------------------|----------------|-------------|-----|-----|--|
| | | 242 | 247 | 248 | |
| 1 | 141791-803 | x | x | x | NEEDLE BAR DRIVING ARM SLIDE SCREW STUD |
| 2 | 44477 | x | x | x | RETAINING RING |
| 3 | 44625 | x | x | x | NEEDLE BAR DRIVING ARM SLIDE |
| 4 | 37941 | x | x | x | NEEDLE BAR DRIVING ARM SLIDE BRACKET HINGE STUD |
| 5 | 141803-830 | x | x | x | SET SCREW |
| 6 | 37939 | x | x | x | NEEDLE BAR DRIVING ARM SLIDE BRACKET |
| 7 | 53641-819 | x | x | x | N.P. SELECTOR LEVER BRACKET FOLLOWER SCREW STUD NUT |
| 8 | 445347 | x | x | x | N.P. SELECTOR LEVER BRACKET FOLLOWER SCREW STUD ECCENTRIC |
| 9 | 44628 | | | x | NEEDLE POSITION SELECTOR LEVER COMPLETE |
| | 37952 | x | x | | NEEDLE POSITION SELECTOR LEVER |
| 10 | 319690 | x | x | x | N.P. SELECTOR LEVER BRACKET POSITIONING PIN |
| 11 | 444800 | x | x | x | POSITIONING PIN SPRING |
| 12 | 444895 | x | x | x | NEEDLE POSITION SELECTOR LEVER |
| 13 | 141913-451 | x | x | x | NEEDLE POSITION SELECTOR LEVER SCREW |
| 14 | 44686 | x | x | x | DISC FOLLOWER STUD |
| 15 | 44371 | x | x | x | DISC FOLLOWER RETAINING RING |
| 16 | 444898 | | x | x | DISC FOLLOWER |
| 17 | 44884 | x | | | DISC FOLLOWER UPPER |
| 18 | 444898 | x | | | DISC FOLLOWER LOWER |
| 19 | 44886 | x | x | | DISC FOLLOWER SPRING |
| 20 | 44885 | x | | | DISC SELECTOR LEVER |
| 21 | 354543-451 | x | | | DISC SELECTOR LEVER HINGE SCREW |
| 22 | 49204 | x | | | DISC SELECTOR LEVER FRICTION SPRING |
| 23 | 445188 | | x | | DISC FOLLOWER SPACER |



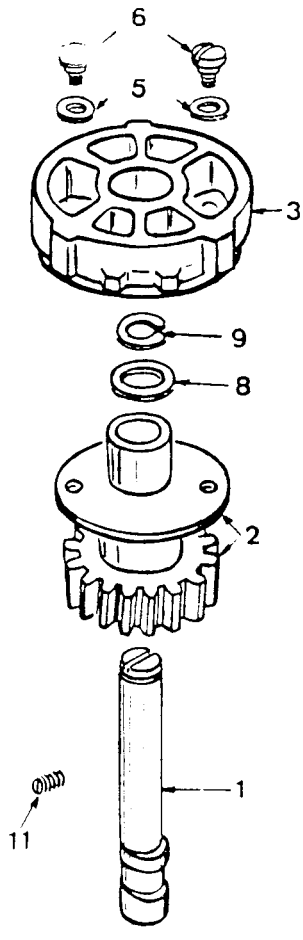
From the library of: Diamond Needle Corp

248

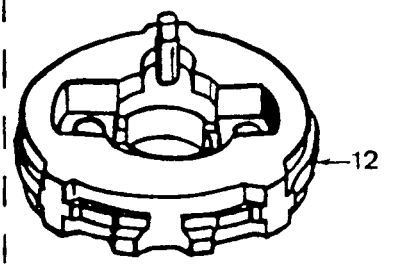
13



248

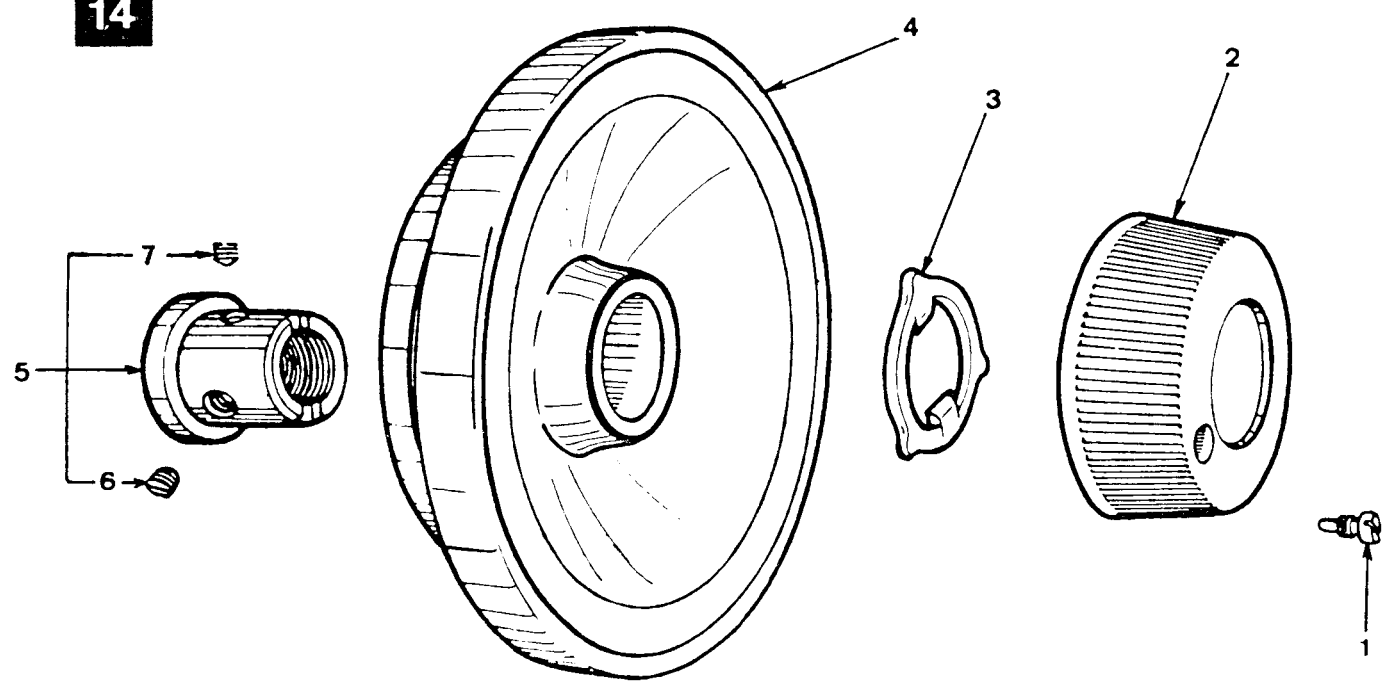


242



247

14



From the library of: Diamond Needle Corp

13

DISC DRIVING MECHANISM

| Reference Number | Part Number | Application | | | Description |
|---------------------|----------------|-------------|-----|-----|---------------------------------------|
| | | 242 | 247 | 248 | |
| 1 | 444899 | | | x | DISC DRIVING GEAR SHAFT |
| | 444922 | x | x | | DISC DRIVING GEAR SHAFT |
| 2 | 444911 | | | x | DISC DRIVING GEAR |
| | 444918 | x | x | | DISC DRIVING GEAR |
| 3 | 444916 | | | x | DISC POSITION ADJUSTING SPACER |
| | 444924 | x | | | CAM STACK |
| 4 | 444908 | | | x | DISC RETAINING SPRING |
| 5 | 444925 | x | x | | CAM STAC. SCREW WASHER |
| 6 | 139928-819 | x | x | x | DISC POSIT. ADJ. SPACER SCREW |
| 7 | 444903 | | | x | DISC RELEASING BRKT. RETAINING WASHER |
| 8 | 444900 | | | x | DISC DRIVING GEAR SHAFT WASHER |
| | 444923 | x | x | | DISC DRIVING GEAR SHAFT WASHER |
| 9 | 153475 | | | x | RETAINING RING |
| | 444921 | x | x | | RETAINING RING |
| 10 | 444906 | | | x | DISC RELEASING BRACKET |
| 11 | 141938-819 | x | x | x | DISC DRIVING GEAR SHAFT SET SCREW |
| 12 | 444909 | | x | | DISC STACK |

14

HAND WHEEL AND CLAMP STOP MOTION

| Reference Number | Part Number | Application | | | Description |
|---------------------|----------------|-------------|-----|-----|------------------------------------|
| | | 242 | 247 | 248 | |
| 1 | 141914-851 | x | x | x | CLAMP STOP MOTION CLAMP STOP SCREW |
| 2 | 44468-677 | x | x | | CLAMP STOP MOTION CLAMP SCREW |
| | 44468-783 | | | x | CLAMP STOP MOTION CLAMP SCREW |
| | 44468-408 | x | | | CLAMP STOP MOTION CLAMP SCREW |
| 3 | 44464 | x | x | x | CLAMP STOP MOTION CLAMP WASHER |
| 4 | 44463-677 | x | x | | HAND WHEEL |
| | 44463-783 | | | x | HAND WHEEL |
| | 44463-408 | x | | | HAND WHEEL |
| 5 | 44679 | x | x | x | CLAMP STOP MOTION FLANGED BUSHING |
| 6 | 141916-833 | x | x | x | BUSHING SET SCREW |
| 7 | 141915-833 | x | x | x | BUSHING POSITION SCREW |

15**BOBBIN WINDER MECHANISM**

| Reference Number | Part Number | Application | | | Description |
|---------------------|----------------|-------------|-----|-----|--|
| | | 242 | 247 | 248 | |
| 1 | 44649 | | | x | BOBBIN WINDER COMPLETE |
| | 44369 | x | x | | BOBBIN WINDER COMPLETE |
| 2 | 354547-451 | x | x | x | BOBBIN WINDER HINGE SCREW |
| 3 | 352026 | x | x | x | BOBBIN WINDER HINGE SCREW FRICTION WASHER |
| 4 | 15287-701 | x | x | x | BOBBIN WINDER FRICTION RING (RUBBER) |

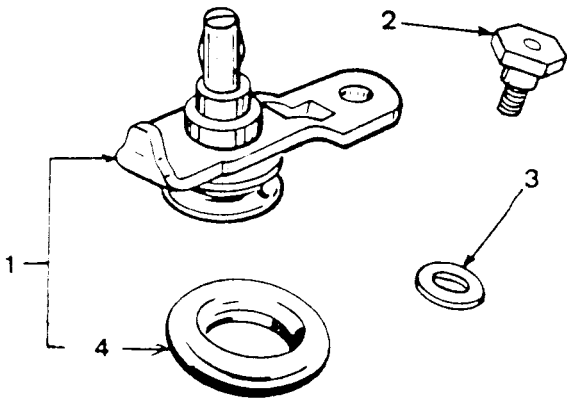
16**ARM SHAFT (HORIZONTAL)**

| Reference Number | Part Number | Application | | | Description |
|---------------------|----------------|-------------|-----|-----|---|
| | | 242 | 247 | 248 | |
| 1 | 445153 | x | x | x | ARM SHAFT (HORIZONTAL) WITH NEEDLE BAR CRANK |
| | 319695 | x | x | x | ARM SHAFT (HORIZONTAL) BEVEL GEAR |
| 2 | 445288 | x | x | x | ARM SHAFT (HORIZONTAL) BEVEL GEAR (ALTERNATE) |
| | 37284-001 | x | x | x | FEED FORKED CONNECTION RETAINING WASHER |
| 4 | 319696 | x | x | x | FEED CAM |
| 5 | 354082-833 | x | x | x | SET SCREW |

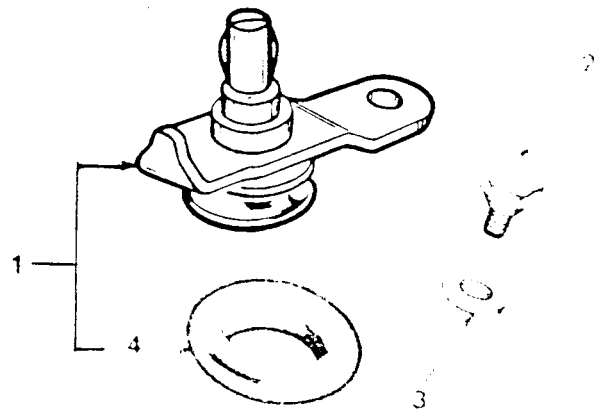
17**ARM SHAFT (UPRIGHT)**

| Reference Number | Part Number | Application | | | Description |
|---------------------|----------------|-------------|-----|-----|--|
| | | 242 | 247 | 248 | |
| 1 | 37231 | x | x | x | ARM SHAFT (UPRIGHT) |
| 2 | 37234 | x | x | x | ARM SHAFT (UPRIGHT) BELT DRIVE PULLEY |
| | 44714 | x | x | x | ARM SHAFT (UPRIGHT) BELT DRIVE PULLEY (ALTERNATE) |
| 3 | 141938-833 | x | x | x | PULLEY SET SCREW |

15

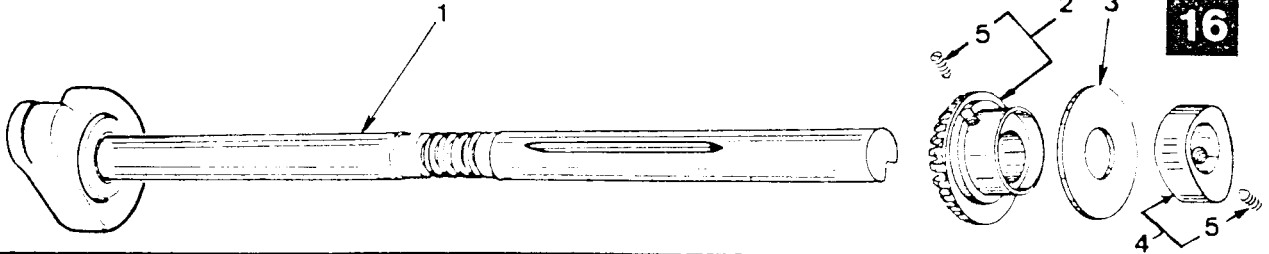


248

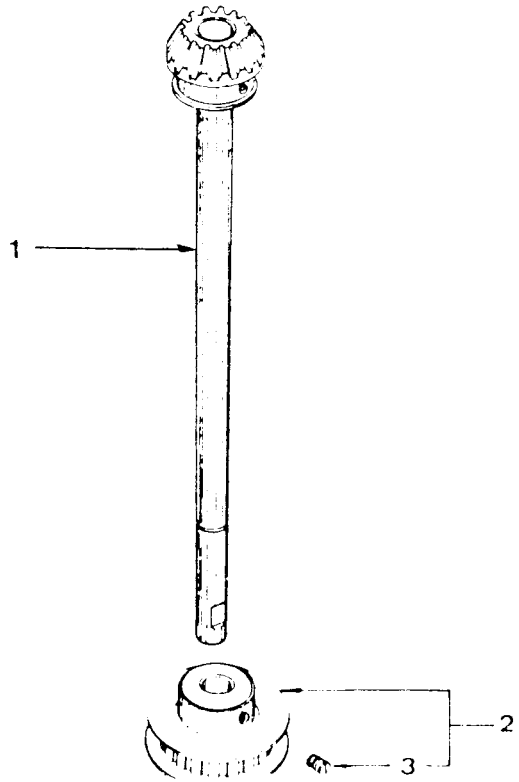


242 / 247

16

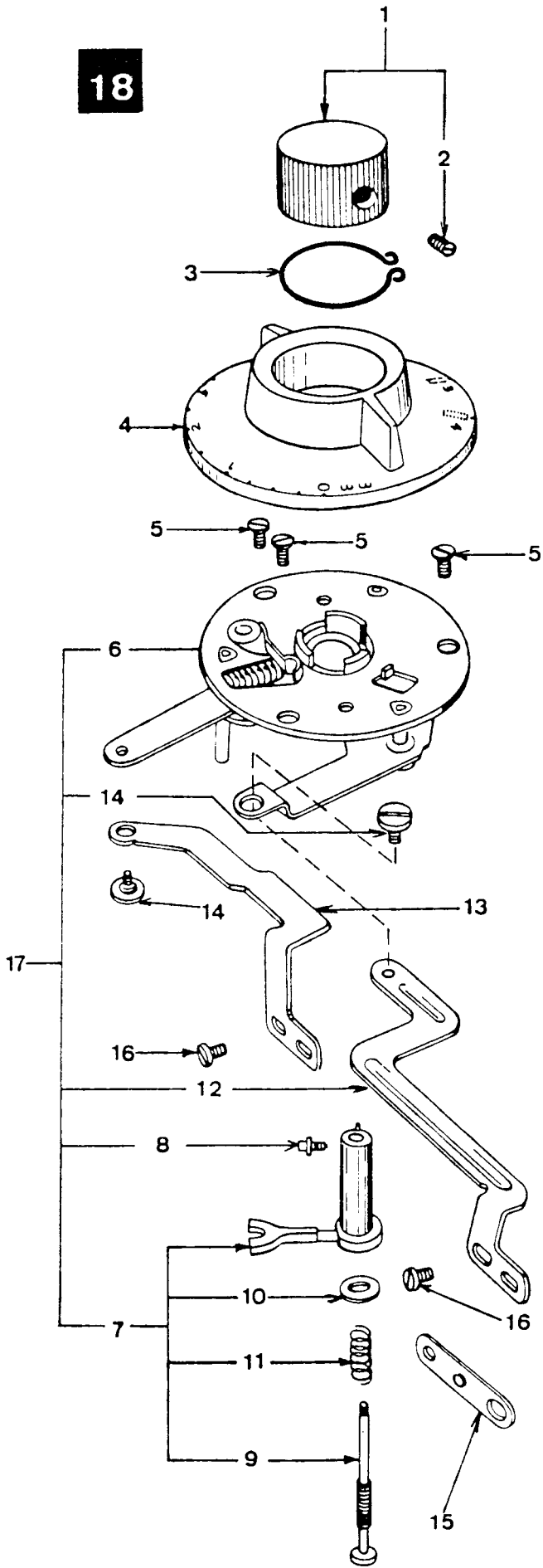


17

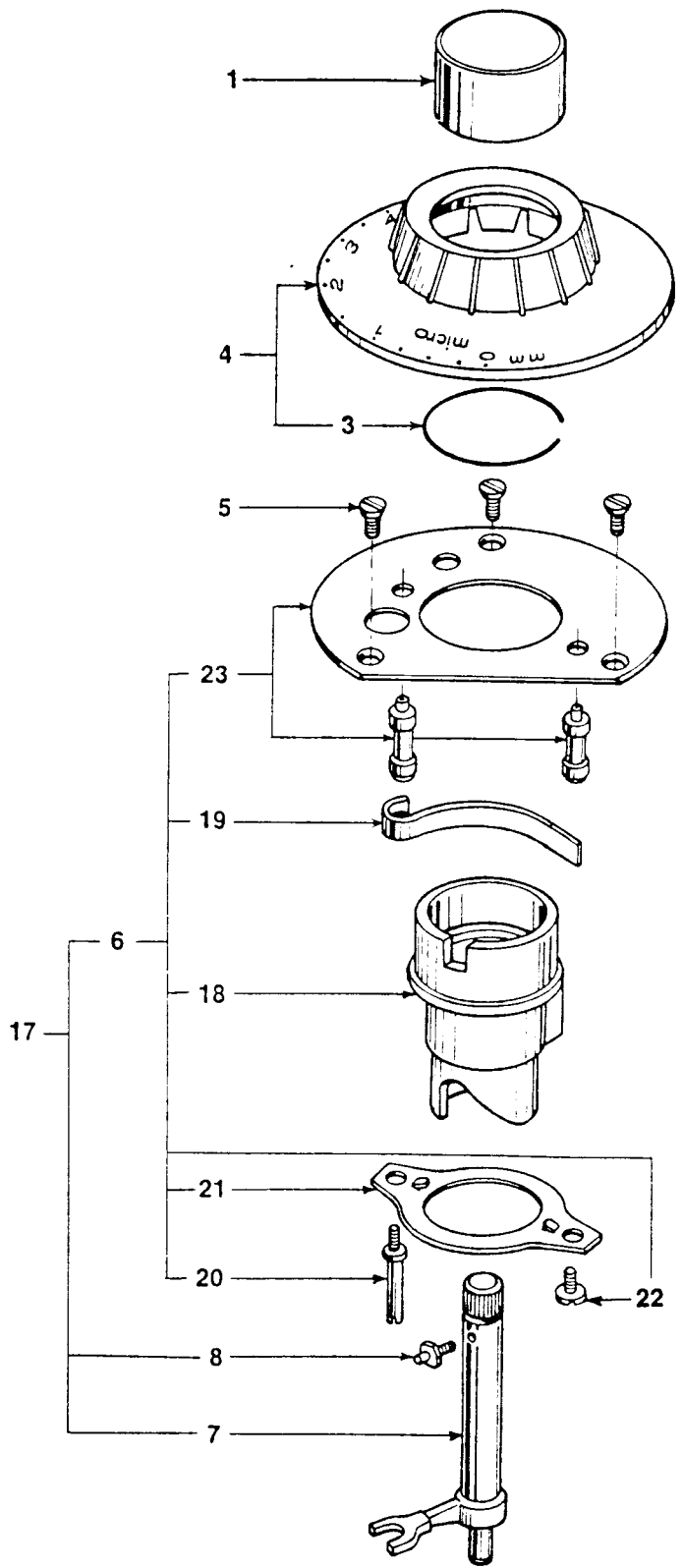


From the library of: Diamond Needle Corp

18



248



242 / 247

| Reference Number | Part Number | Application | | | Description |
|---------------------|----------------|-------------|-----|-----|--|
| | | 242 | 247 | 248 | |
| 1 | 44615-783 | | | x | RESERVE FEED ACTUATING KNOB AND STITCH DENSITY BALANCE |
| | 445286-455 | x | x | | RESERVE FEED ACTUATING KNOB |
| | 445286-452 | x | | | RESERVE FEED ACTUATING KNOB |
| 2 | 141913-451 | | | x | KNOB SET SCREW |
| 3 | 445070 | | | x | RETAINING RING |
| | 445461 | x | x | | RETAINING RING |
| 4 | 44544-455 | | | x | STITCH LENGTH AND BUTTONHOLER CONTROL DIAL |
| | 445035-451 | x | | | STITCH LENGTH CONTROL DIAL |
| | 445035-457 | | x | | STITCH LENGTH CONTROL DIAL |
| | 445035-459 | x | | | STITCH LENGTH CONTROL DIAL (FOR L.A. REGION) |
| 5 | 354552-451 | x | x | x | BUTTONHOLER AND FEED REGULATOR CAM COMPLETE SCREW |
| 6 | 44540 | | | x | BUTTONHOLER AND FEED REGULATOR CAM COMPLETE |
| | 445040 | x | x | | FEED REGULATOR CAM ASSEMBLY |
| 7 | 44610 | | | x | FEED REGULATOR POSITIONING PIN CARRIER COMPLETE |
| | 445128 | x | x | | FEED REGULATOR CAM FOLLOWER |
| 8 | 37970 | x | x | x | RESERVE FEED CAM FOLLOWER STUD |
| 9 | 44607 | | | x | FEED REGULATOR POSITIONING PIN |
| 10 | 44613 | | | | CANCELLED |
| 11 | 44612 | | | x | FRICTION SPRING |
| 12 | 44557 | | | x | BUTTONHOLER BIGHT CONTROL CAM FOLLOWER LEVER LINK (RIGHT) |
| 13 | 44561 | | | x | BUTTONHOLER NEEDLE POSITION CAM FOLLOWER LEVER LINK (RIGHT) |
| 14 | 39866-451 | | | x | LEVER LINK SCREWS |
| 15 | 44556 | | | x | BUTTONHOLER BIGHT CONTROL CAM FOLLOWER LEVER LINK (LEFT) |
| 16 | 141913-451 | | | x | LEVER LINK SCREW |
| 17 | 44541 | | | x | BUTTONHOLER FEED REGULATOR CAM COMPLETE |
| | 445033 | x | x | | FEED REGULATOR CAM COMPLETE |
| 18 | 37291 | x | x | | FEED REGULATOR CAM |
| 19 | 44420 | x | x | | FEED REGULATOR CAM FRICTION SPRING |
| 20 | 44465 | x | x | | FEED REGULATOR CAM FOLLOWER GUIDE (SCREW STUD) |
| 21 | 37295 | x | x | | FEED REGULATOR CAM MOUNTING PLATE |
| 22 | 141844-819 | x | x | | FEED REGULATOR CAM MOUNTING PLATE SCREW |
| 23 | 445037 | x | x | | FEED REGULATOR MECHANISM MOUNTING PLATE |

19

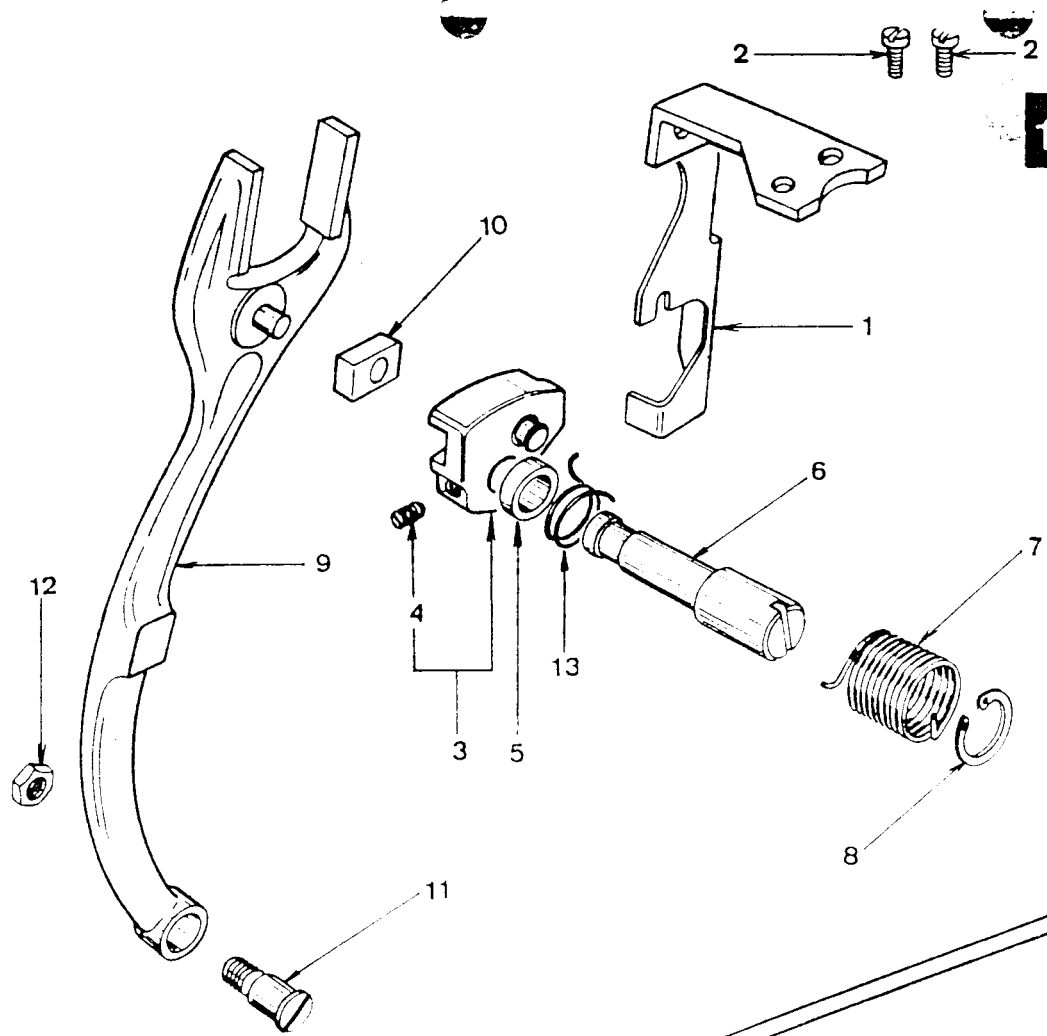
FEED REGULATOR AND FEED FORK

| Reference Number | Part Number | Application | | | Description |
|---------------------|----------------|-------------|-----|-----|---|
| | | 242 | 247 | 248 | |
| 1 | 445148 | x | x | x | FEED REGULATOR CONTROL ARM MOUNTING BRACKET |
| 2 | 354552-451 | x | x | x | MOUNTING BRACKET SCREW |
| 3 | 444857 | x | x | x | FEED REGULATOR WITH SET SCREW |
| 4 | 141925-833 | x | x | x | FEED REGULATOR HINGE STUD SET SCREW |
| 5 | 445233 | x | x | x | FEED REGULATOR SPACER BUSHING |
| 6 | 44705 | x | x | x | FEED REGULATOR HINGE STUD |
| 7 | 44702 | x | x | x | FEED REGULATOR RETURN SPRING |
| 8 | 44616 | x | x | x | RETAINING RING |
| 9 | 37283 | x | x | x | FEED FORKED CONNECTION |
| 10 | 44437 | x | x | x | FEED FORKED CONNECTION SLIDE BLOCK |
| 11 | 141805-850 | x | x | x | FEED FORKED CONNECTION HINGE SCREW ECCENTRIC |
| 12 | 53648-819 | x | x | x | HINGE SCREW NUT |
| 13 | 445210 | x | x | x | FEED REGULATOR SPRING |

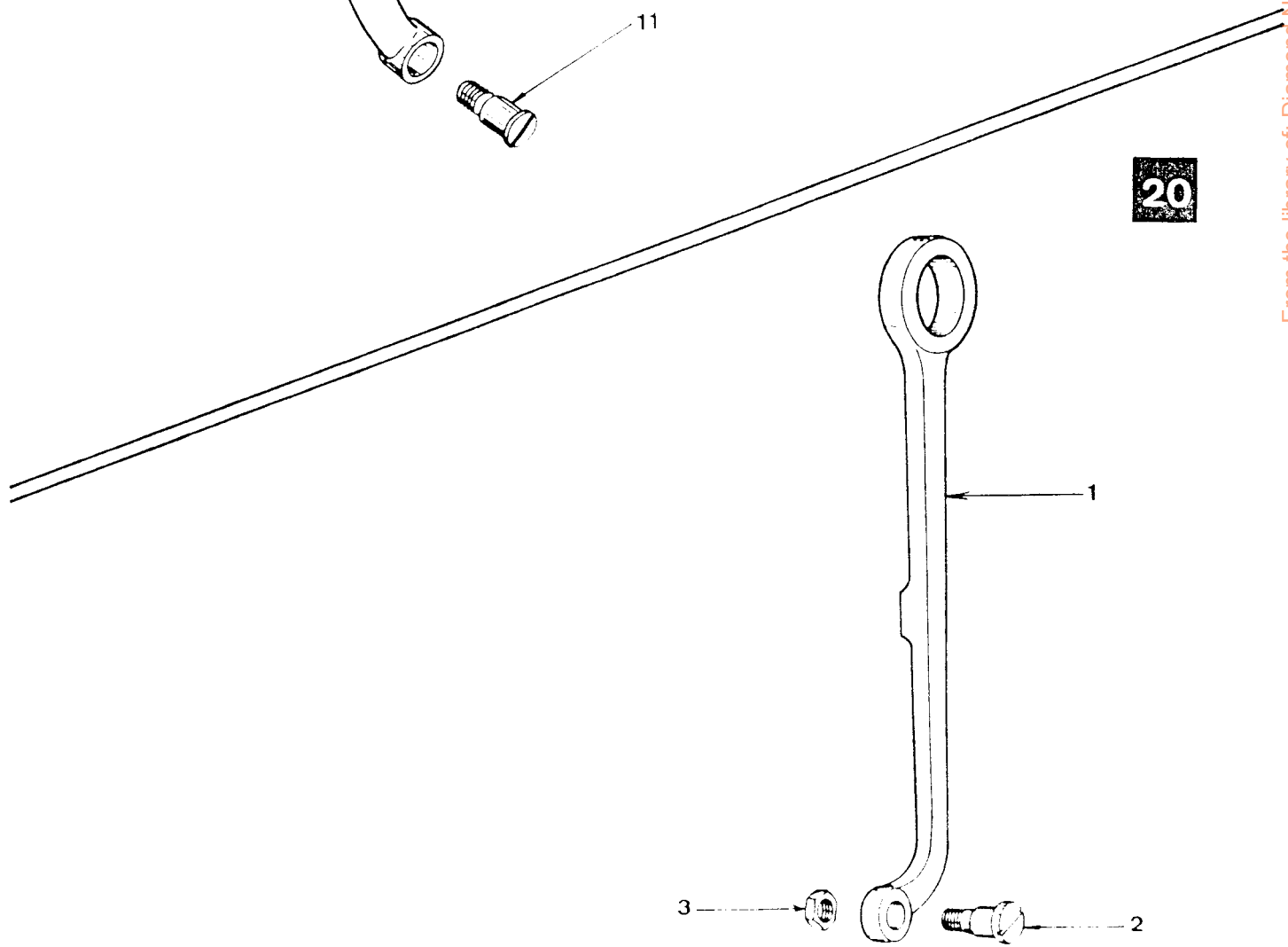
20

FEED LIFTING ROCK SHAFT CONNECTING ROD

| Reference Number | Part Number | Application | | | Description |
|---------------------|----------------|-------------|-----|-----|---|
| | | 242 | 247 | 248 | |
| 1 | 37288 | x | x | x | FEED LIFTING ROCK SHAFT CONNECTING ROD |
| 2 | 141805-850 | x | x | x | FEED LIFTING ROCK SHAFT CONNECTING ROD HINGE SCREW ECCENTRIC |
| 3 | 53648-819 | x | x | x | HINGE SCREW NUT |



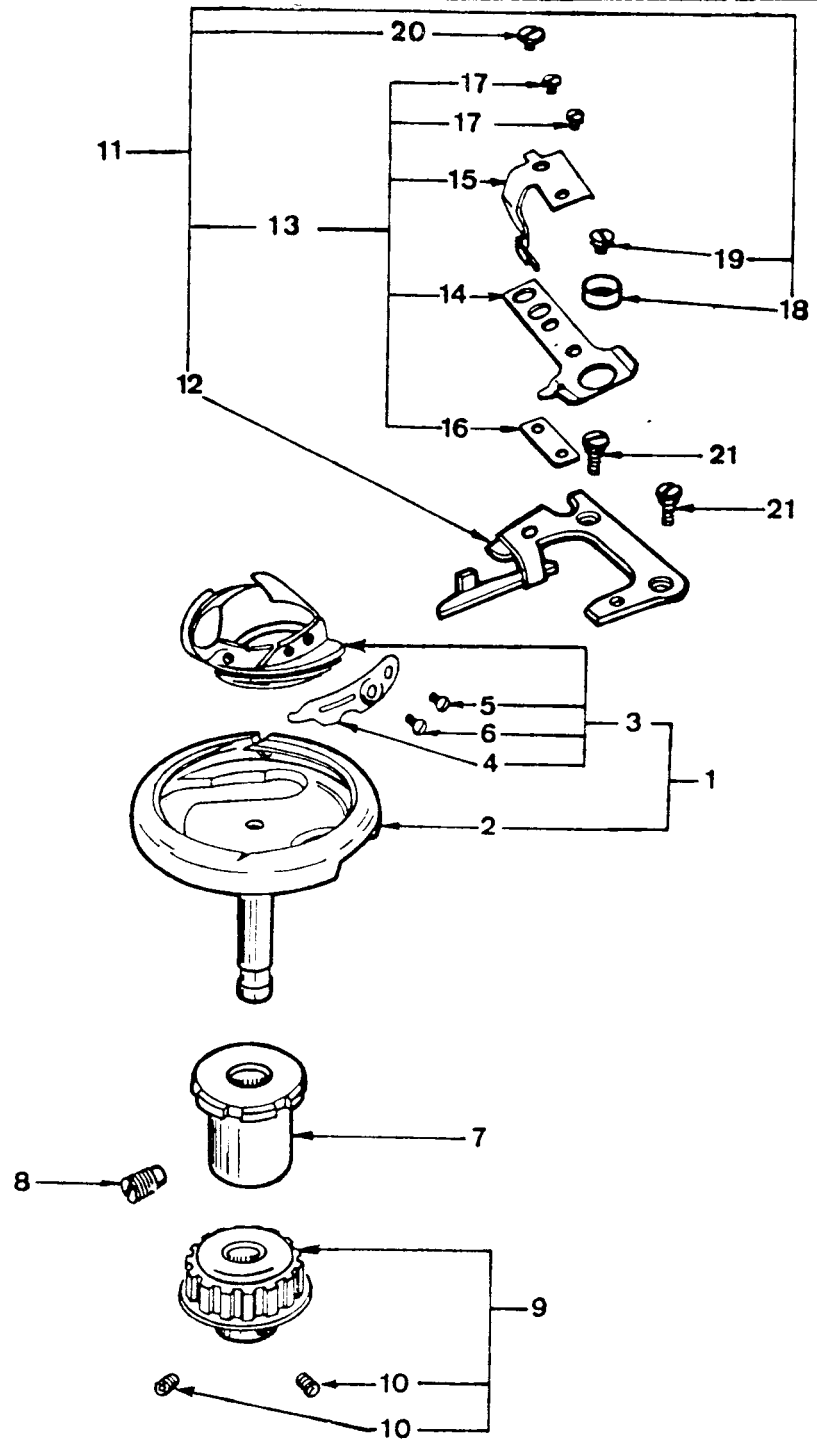
19



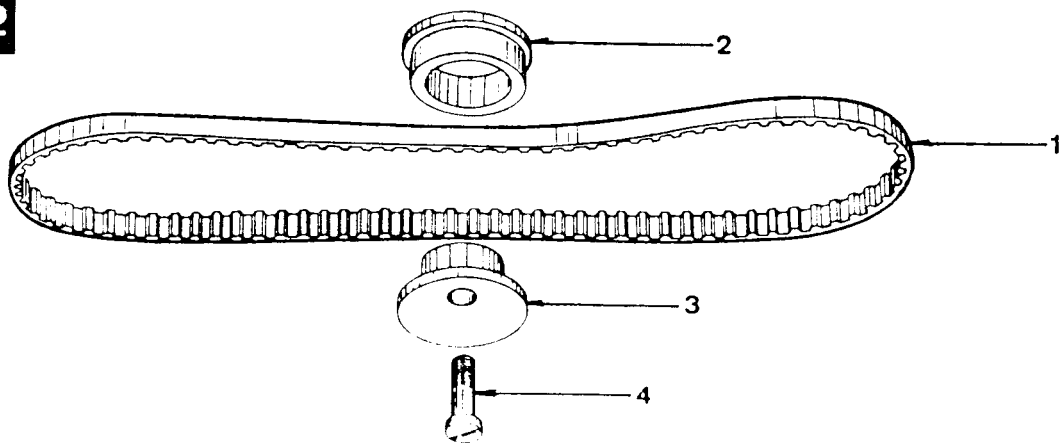
20

From the library of: Diamond Needle Corp

21



22



ROTATING HOOK

| Reference Number | Part Number | Application | | | Description |
|---------------------|----------------|-------------|-----|-----|--|
| | | 242 | 247 | 248 | |
| 1 | 44685 | x | x | x | ROTATING HOOK WITH BOBBIN CASE |
| 2 | 44506 | x | x | x | ROTATING HOOK |
| 3 | 44834 | x | x | x | BOBBIN CASE |
| 4 | 172202 | x | x | x | BOBBIN CASE TENSION SPRING |
| 5 | 141030-830 | x | x | x | TENSION SPRING SCREW |
| 6 | 1172-806 | x | x | x | TENSION SPRING TENSION ADJUSTING SCREW |
| 7 | 44512 | x | x | x | ROTATING HOOK BUSHING |
| 8 | 141925-833 | x | x | x | BUSHING SET SCREW |
| 9 | 37974 | x | x | x | ROTATING HOOK BELT DRIVE PULLEY |
| | 44716 | x | x | x | ROTATING HOOK BELT DRIVE PULLEY (ALTERNATE) |
| 10 | 354237-833 | x | x | x | DRIVE PULLEY SET SCREW |
| 11 | 44630 | x | x | x | BOBBIN CASE POSITION FINGER COMPLETE |
| 12 | 44511 | x | x | x | POSITION FINGER |
| 13 | 44718 | x | x | x | BOBBIN CASE CUSHION SPRING ASSEMBLY |
| 14 | 153375 | x | x | x | CUSHION SPRING BRACKET |
| 15 | 44717 | x | x | x | CUSHION SPRING |
| 16 | 155469 | x | x | x | CUSHION SPRING PLATE |
| 17 | 50202-819 | x | x | x | CUSHION SPRING SCREW |
| 18 | 155464 | x | x | x | ADJUSTING SCREW WASHER |
| 19 | 141345-819 | x | x | x | CUSHION SPRING ADJUSTING SCREW |
| 20 | 141346-850 | x | x | x | CUSHION SPRING BRACKET SCREW |
| 21 | 114128-819 | x | x | x | POSITION FINGER SCREW |

ROTATING HOOK DRIVE BELT AND BELT TENSIONER

| Reference Number | Part Number | Application | | | Description |
|---------------------|----------------|-------------|-----|-----|--------------------------|
| | | 242 | 247 | 248 | |
| 1 | 37977 | x | x | x | ROTATING HOOK DRIVE BELT |
| 2 | 44410 | x | x | x | TENSION ADJUSTER ROLLER |
| 3 | 44409 | x | x | x | TENSION ADJUSTER |
| 4 | 141794-819 | x | x | x | TENSION ADJUSTER SCREW |

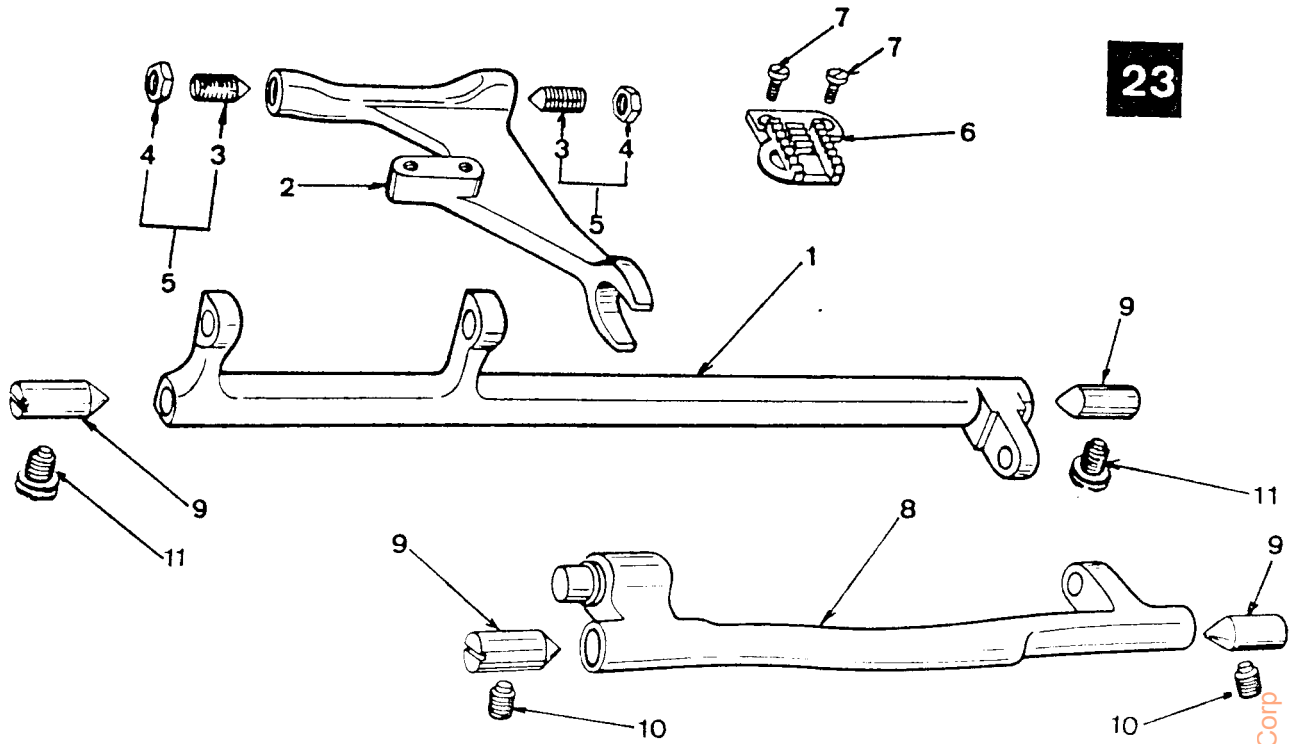
FEED SYSTEM

| Reference Number | Part Number | Application | | | Description |
|---------------------|----------------|-------------|-----|-----|---------------------------|
| | | 242 | 247 | 248 | |
| 1 | 37915 | x | x | x | FEED SHAFT |
| 2 | 44601 | x | x | x | FEED BAR |
| 3 | 141921-850 | x | x | x | FEED BAR SCREW CENTER |
| 4 | 53647-819 | x | x | x | FEED BAR SCREW CENTER NUT |
| 5 | 44505 | x | x | x | SCREW CENTER WITH NUT |
| 6 | 153797 | x | x | x | FEED DOG |
| 7 | 141808-452 | x | x | x | FEED DOG SCREW |
| 8 | 319675 | x | x | x | FEED LIFTING ROCK SHAFT |
| 9 | 37287 | x | x | x | ROCK SHAFT CENTER |
| 10 | 141925-833 | x | x | x | CENTER SET SCREWS |
| 11 | 345316-451 | x | x | x | CENTER SET SCREWS |

OTHER PARTS

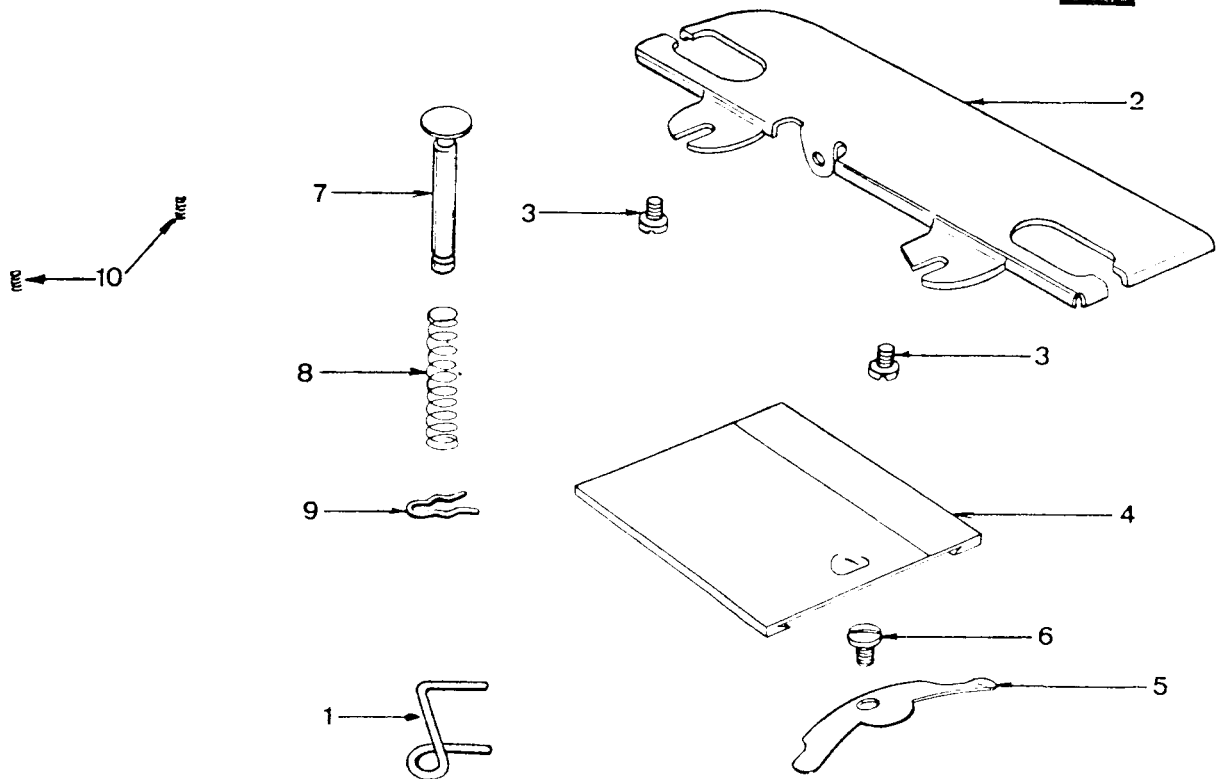
| Reference Number | Part Number | Application | | | Description |
|---------------------|----------------|-------------|-----|-----|---------------------------------------|
| | | 242 | 247 | 248 | |
| 1 | 37989 | x | x | x | THREAD GUIDE LOWER |
| 2 | 444499-677 | x | | | BED EXTENSION PLATE (FOR L.A. REGION) |
| | 444499-460 | x | | | BED EXTENSION PLATE |
| | 444499-783 | | | x | BED EXTENSION PLATE |
| 3 | 354552-451 | x | x | x | BED EXTENSION PLATE SCREW |
| 4 | 179521 | x | x | x | BED SLIDE |
| 5 | 37239 | x | x | x | BED SLIDE SPRING |
| 6 | 352552-451 | x | x | x | BED SLIDE SPRING SCREW |
| 7 | 444888 | x | x | x | THROAT PLATE CLAMP |
| 8 | 444889 | x | x | x | THROAT PLATE CLAMP SPRING |
| 9 | 179658 | x | x | x | THROAT PLATE CLAMP SPRING |
| | | | | | RETAINING CLIP |
| 10 | 141925-833 | x | x | x | MACHINE HINGE CONNECTION SET SCREW |

23

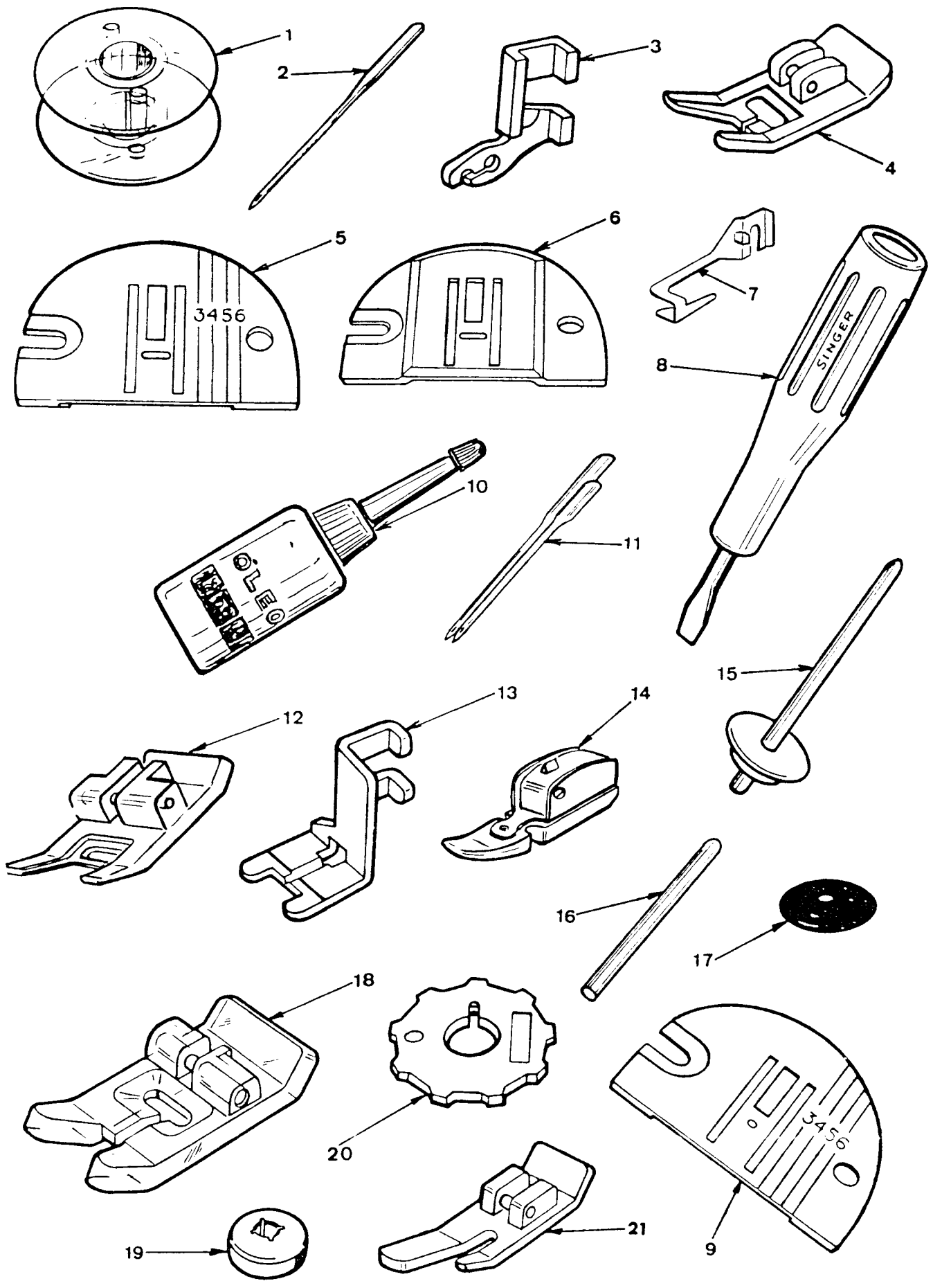


242 / 248

24



From the library of: Diamond Needle Corp



From the library of: Diamond Needle Corp

ACCESSORIES

| Reference Number | Part Number | Application | | | Description |
|------------------|-------------|-------------|-----|-----|--|
| | | 242 | 247 | 248 | |
| 1 | 172336 | 3F | 3F | 3F | BOBBIN |
| 2 | CAT-2020 | 1F | 3F | 1F | NEEDLE CAT-2020 (15x1) SIZE 14 |
| | CAT-2020 | E | E | E | NEEDLE CAT-2020 (15x1) SIZE 9 THROUGH 18 |
| | CAT-2020 | 1F | | 1F | NEEDLE CAT-2020 (15x1) SIZE 11 |
| | CAT-2020 | 1F | | 1F | NEEDLE CAT-2020 (15x1) SIZE 16 |
| | CAT-2045 | 1F | | 1F | NEEDLE CAT-2045 SIZE 14 |
| 3 | 155964 | 1FM | 1FM | 1FM | PRESSER FOOT SHANK |
| 4 | 155962 | 1FM | 1FM | 1FM | GENERAL PURPOSE PRESSER FOOT PLATE (SNAP ON) |
| 5 | 44984 | 1FM | 1FM | 1FM | THROAT PLATE — GENERAL PURPOSE |
| 6 | 381134 | 1F | | 1F | THROAT PLATE FOR DARNING |
| 7 | 381213 | 1F | | 1F | BLIND STITCH GUIDE |
| 8 | 161294 | | | | CANCELLED |
| 9 | 44985 | 1F | | 1F | THROAT PLATE — STRAIGHT STITCH |
| 10 | 444884 | 1F | | 1F | OIL CONTAINER |
| 11 | CAT-2028 | 1F | | 1F | TWIN NEEDLE CAT-2028 — SIZE 14-2 mm BETWEEN POINTS |
| 12 | 171498 | 1F | | 1F | PRESSER FOOT — SPECIAL PURPOSE |
| 13 | 161613 | 1F | | 1F | PRESSER FOOT — BUTTON SEWING |
| 14 | 507836 | 1F | | 1F | PRESSER FOOT — ZIPPER |
| 15 | 444813-451 | 1F | | 1F | SPOOL PIN FOR TWIN NEEDLE SEWING |
| 16 | 173571 | 1FM | 1FM | | SPOOL PIN |
| 17 | 8879-750 | 1FM | 1FM | | SPOOL PIN WASHER |
| 18 | 161927 | | | 1F | PRESSER FOOT PLATE SNAP ON FOR BUTTONHOLE |
| 19 | 507664-783 | | | 1F | THREAD LEAD-OFF — SMALL |
| 20a | 276301 | | | 1FM | DISC N° 1 — ZIG-ZAG |
| 20b | 276302 | | | 1F | DISC N° 2 — MULTIPLE ZIG-ZAG |
| 20c | 276305 | | | 1F | DISC N° 5 — ARROW HEAD |
| 20d | 276306 | | | 1F | DISC N° 6 — DOMINO |
| 20e | 276312 | | | 1F | DISC N° 12 — WALLS OF TROY |
| 20f | 276313 | | | 1F | DISC N° 13 — SOLID DIAMOND |
| 20g | 276319 | | | 1F | DISC N° 19 — BALL |
| 20h | 276327 | | | 1F | DISC N° 27 — FAGOTING |
| 20i | 276330 | | | 1F | DISC N° 30 — PLATFORM |
| 20j | 171340 | | | 1F | DISC N° 350 — BLIND STITCH |
| 20k | 171341 | | | 1F | DISC N° 351 — CRESCENT |
| 20l | 171342 | | | 1F | DISC N° 352 — SOLID SCALLOP |
| 20m | 171343 | | | 1F | DISC N° 353 — SOLID PYRAMID |
| 20n | 171344 | | | 1F | DISC N° 354 — KEY |
| 20p | 171345 | | | 1F | DISC N° 355 — BANNER |
| 21 | 171315 | 1F | | 1F | PRESSER FOOT PLATE SNAP ON STRAIGHT STITCH |
| | 153267 | 1F | | 1F | PRESSER FOOT PLATE SNAP ON STRAIGHT STITCH (ALTERNATE) |

F — SUPPLIED WITH ACCESSORY BOX
 FM — SUPPLIED WITH MACHINE
 E — OVER COUNTER SALES

From the library of: Diamond Needle Corp

MOTOR SINGER WZC-3

| REF | WZC 3-8 (UL CSA) | WZC 3-8 | WZC 3-11 |
|-----|---------------------|------------|------------|
| 1 | 60479 001 | 60479 011 | 60479 016 |
| 2 | 604394 010 | 604394 010 | 604394 013 |
| 3 | 444216 001 | 444216 001 | 777910 004 |
| 4 | CR304 1/2 | CR304 1/2 | CR304 1/2 |
| 5 | 618804 003 | 618804 003 | 618804 001 |
| 6 | 713435 925 | 619310 005 | 619310 005 |
| 7 | 605014 901 | | |
| 8 | 605014 902 | | |

